



SANME



SMG 系列 液压圆锥破碎机

*SMG Series
Cone Crushers*



上海山美环保装备股份有限公司
SHANGHAI SANME MINING MACHINERY CORP., LTD.
(中德合资控股)
(Sino-German JV Holding)

SMG Series Cone Crushers

SMG系列液压圆锥破碎机

Features and Benefits

主要特点和优点



SMG100S	SMG100
SMG200S	SMG200
SMG300S	SMG300
SMG500S	SMG500
	SMG700
	SMG800

SMG series cone crusher is an advanced technology of cone crusher, not only provides the features of high reliability, but also with the features of high crushing efficiency, low operating cost, good shape of end products. It is widely applied in the field of mining and aggregate processing industries and it is suitable for crushing hard and mid-hard ore and rock, meanwhile, it can be used for secondary crushing, tertiary crushing and sand making.

SMG 系列液压圆锥破碎机不仅具有高可靠性，而且破碎效率高、运行成本低、产品粒形好等优点，广泛应用于矿山和砂石骨料行业，适合破碎坚硬、中等硬度以上的各种矿物和岩石，可以应用于物料的中碎、细碎及制砂。

1 Optimized cavity, higher capacity and better quality

Based on all advantages of each crushing cavity, and through theoretical analysis and practical examination, SMG series cone crusher is designed for optional variety of cavities. By selecting suitable cavities and eccentricity, it ensures the producing demand of customer in maximum and realizes high capacity. Laminated crushing function can be fully realized when full load, which contributes to good shape of end product with more cubic particles.

优化的腔型 更高的产量 更佳的产品质量

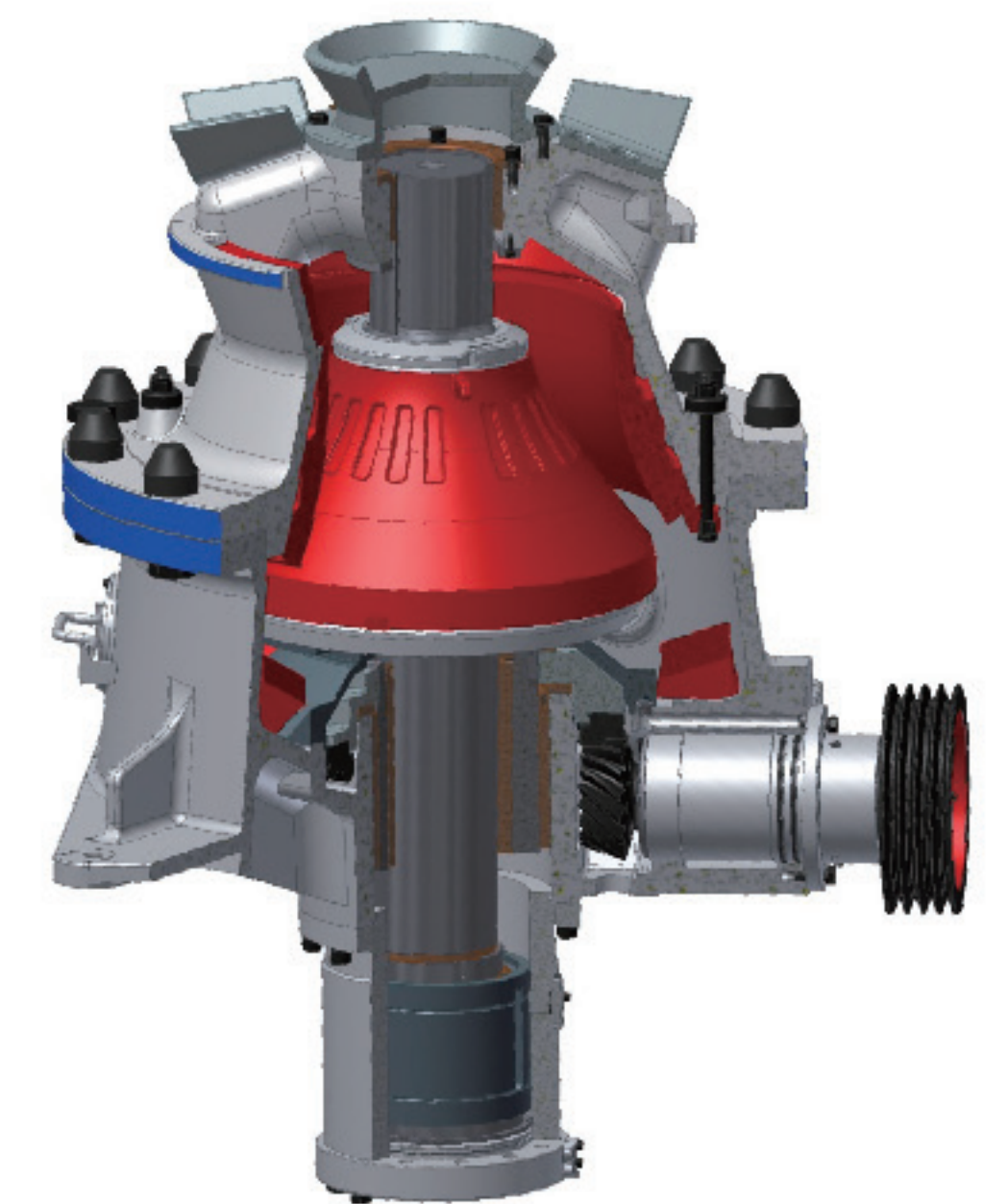
SMG 系列液压圆锥破碎机在总结了各种破碎腔型的优点基础上，在经历理论分析和实践的检验情况下，设计出的 SMG 系列液压圆锥破碎机具有多种破碎腔型可供选择，通过选择合适的破碎腔型及偏心距，可以较大限度的满足客户的生产要求，实现高产量。在挤满给料情况下，能够实现层压破碎，使最终的产品粒形更优、立方体颗粒含量更多。

2 Resistant wear part consumption and low operating cost

The discharging open can be adjusted timely and conveniently with hydraulic adjusting design, which realizes full load operation, lowers wear parts consumption and reduces operating cost.

易损件消耗少 运行成本低

由于采用液压调整排矿口，可以及时、方便的调整排矿口，使破碎机在挤满给料状态下工作，降低易损件的消耗，降低运营成本。



Features and Benefits

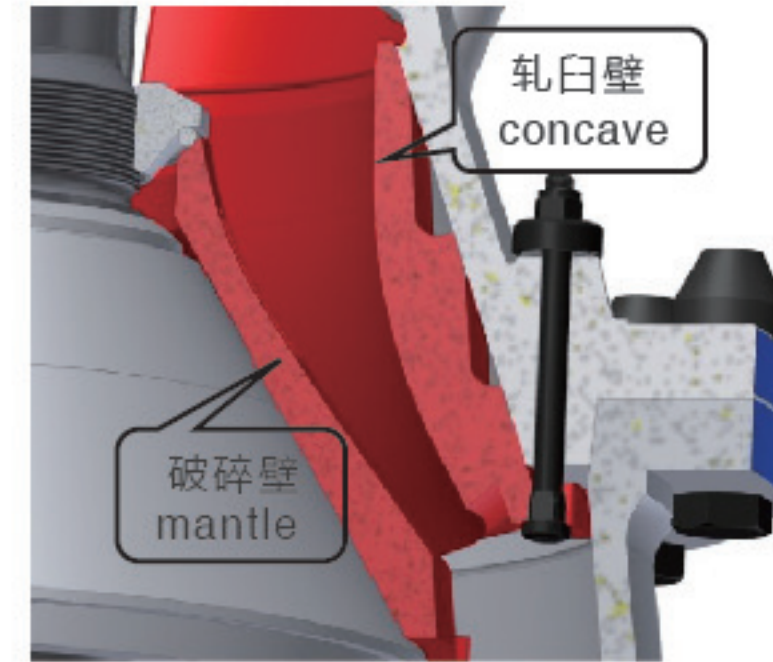
主要特点和优点

3 Easy cavities exchange

Due to the same body structure, we can get different crushing cavity by changing liner plate to fulfill the various processing for coarse and fine crushing.

粗细破碎转换方便

因为破碎机的主体结构相同，所以只需通过更换衬板就可以获得不同的破碎腔型，可以满足粗细碎的不同工艺要求。



4 Advanced hydraulic technology offers easy operation and maintenance

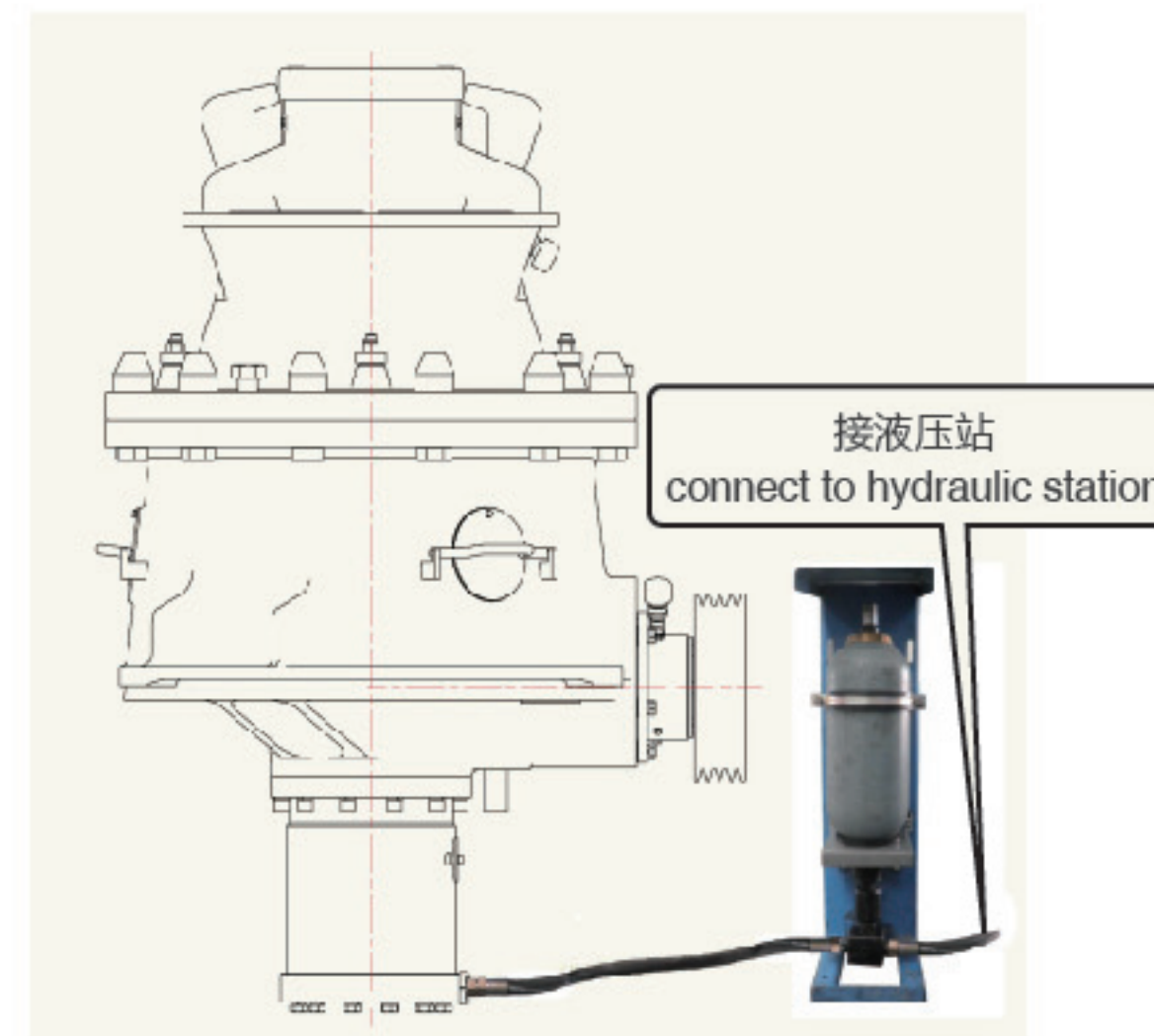
Due to adopting advanced hydraulic technology, overload protection can effectively be realized, which simplify the structure of crusher and reduces its weight. When some unbreakable foreign materials enter the crushing cavity, the hydraulic systems can release the impact force gently to protect the mainframe and the discharge opening will retrieve after the foreign materials are discharged, avoiding extrusion failure. If cone crusher is stopped with load, the hydraulic cylinder of double functions clears the materials in the cavity with the maximum clearing stroke and the discharge opening will go back to the original position automatically and save you from readjusting. Hydraulic cone crusher is much safer, quicker and saves you more down time compared with traditional spring cone crusher.

All maintenance and inspection can be fulfilled on the top of crusher, which ensures easy maintenance.

专业的液压技术使操作简单和维修方便

由于采用了专业的液压技术，可有效实现过载保护，简化了破碎机结构，减轻了重量。当有不可破碎的异物进入破碎腔时，液压系统可以平缓的释放冲击力以保护主机，并在异物通过后恢复到原来的排料口，避免出现闷车的现象。如果破碎机在负载的情况下停机，液压缸能提供较大的清腔行程，帮您快速地清理掉破碎腔中的石料，并可以恢复到原来的排料口，不需要您再次调整排料口。相对于传统的弹簧式圆锥破碎机来说，更加安全、更加快捷，较大限度的节约了您的停机时间。

所有的维护和检查都可以从破碎机的上部来完成，使维修更方便。

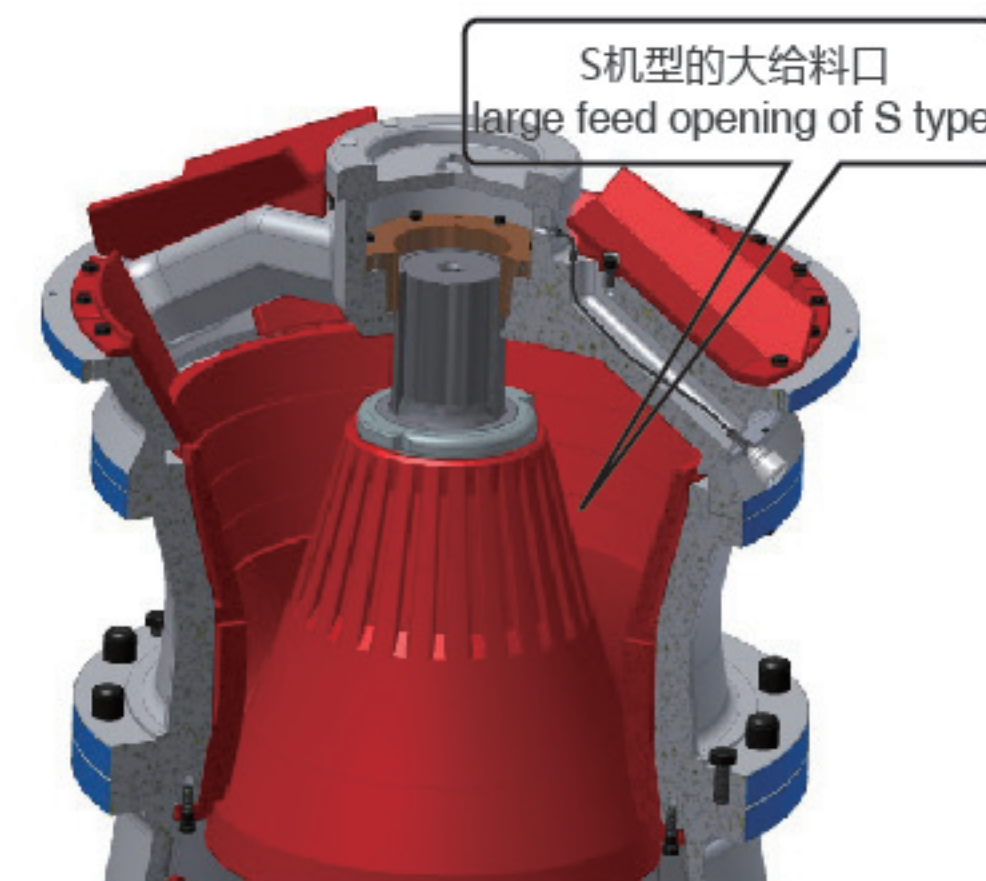


5 Large feeding opening design

Large feeding opening design is adopted by S type SMG series cone crusher to provide good combination with primary jaw crusher or gyratory, which greatly improves the crushing capacity. While processing gravels, it can replace jaw crusher and be used as primary crusher.

大给料口设计

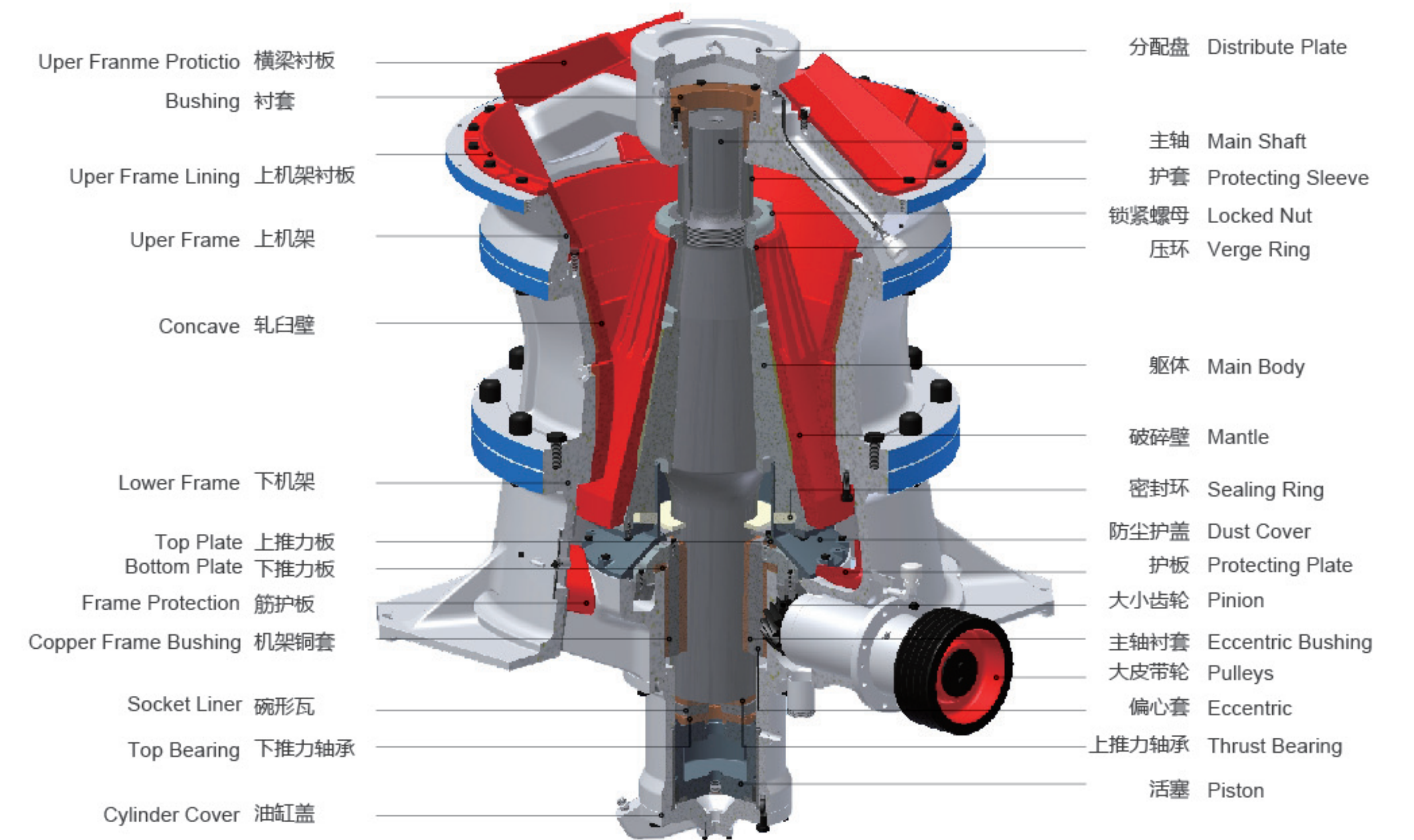
SMG 系列液压圆锥破碎机的 S 机型采用大给料口设计，可以和前段的粗碎颚式破碎机或旋回破碎机形成更好的配套，提高破碎系统的处理能力；在加工河卵石时，可以替代颚破作为粗碎。



SMG Series Secondary Cone Crushers

SMG系列中碎液压圆锥破碎机

主要部件 Main Components



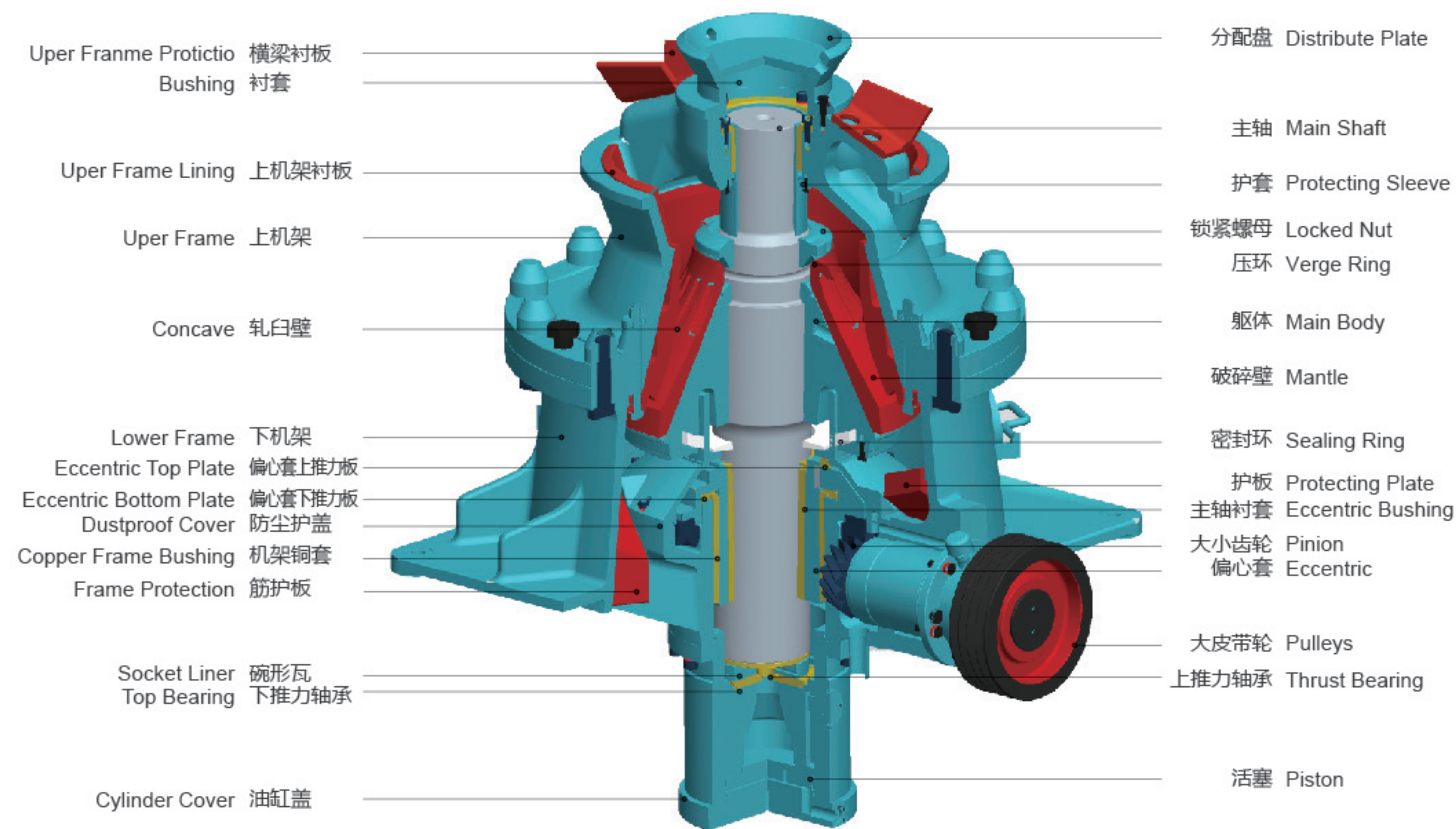
Technical Data 设备技术参数

型号 Model	SMG100S	SMG200S	SMG300S	SMG500S
电机功率 Motor power (kw)	90	160	250	315
最大进料尺寸 Max Feeding Size(mm)	240	360	450	500
生产能力 Capacities(t/h)	76-165	100-330	195-600	310-1050
总重量 Total weight (kg)	7500	12000	19300	37000

SMG Series Tertiary Cone Crushers

SMG系列细碎液压圆锥破碎机

主要部件 Main Components



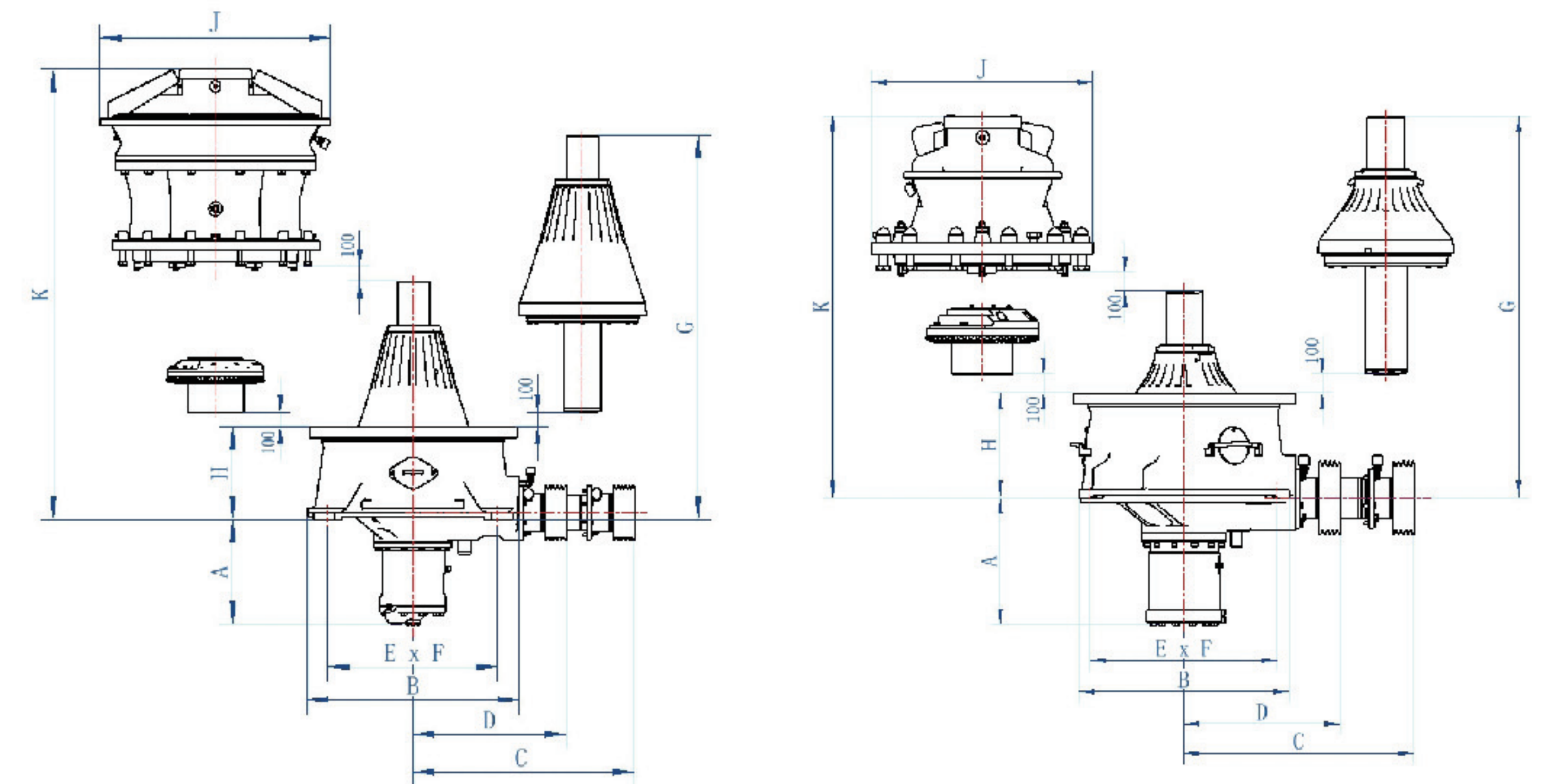
Technical Data 设备技术参数

型号 Model	SMG100	SMG200	SMG300	SMG500	SMG700	SMG800
电机功率 Motor power (kw)	90	160	250	315	500	750
最大进料尺寸 Max Feeding Size(mm)	150	200	215	275	300	370
生产能力 Capacities(t/h)	27-128	48-210	90-395	185-650	360-1465	530-2100
总重量 Total weight (kg)	5700	9500	17500	25000	53000	76200

SMG Series Cone Crushers

SMG系列液压圆锥破碎机

拆卸外形尺寸 Clearance Dimensions mm



Dimensions	SMG100S	SMG200S	SMG300S	SMG500S	SMG100	SMG200	SMG300	SMG500	SMG700	SMG800
A	712	734	812	920	712	734	812	920	1090	1200
B	1250	1588	1980	2320	1250	1588	1980	2320	2770	3040
C	1366	1652	2109	2433	1366	1652	2109	2433	2940	3260
D	929	1141	1436	1650	929	1141	1436	1650	1980	2200
ExF	1110x1400	1270x1680	1350x1880	1600x2200	1110x1400	1270x1680	1350x1880	1600x2200	2100x2600	2300x2900
G	2392	2687	3450	3890	2124	2337	2977	3360	4200	4750
H	583	650	843	920	583	650	843	920	1160	1215
J	1450	1720	2000	2420	1320	1550	1980	2320	2820	3120
K	2644	3150	4108	4450	2125	2450	3100	3422	4300	4830

SMG Series Cone Crushers Capacities

SMG系列液压圆锥破碎机生产能力

型号 Model	腔型 Cavity	最大给料尺寸 Max Feeding Size (mm)	紧边排料口及对应的生产能力							CSS (mm) Capacity (t/h)								
			22	25	29	32	35	38	41	44	48	51	54	60	64	70		
SMG100S	EC	240	85-100	92-115	101-158	107-168	114-143	121										
	C	200	76-95	82-128	90-112	100-120												
SMG200S	EC	360		126	138-173	147-230	156-293	165-310	174-327	183-330	196-306	205-256	214					
	C	300	108	116-145	127-199	135-254	144-270	152-285	161-301	169-264	180							
	M	235	98-123	106-166	116-218	124-232	131-246	139-261	147-275	154-241	165							
SMG300S	EC	450					267	282-353	298-446	313-563	334-600	349-524	365-456					
	C	400			225	239-299	254-381	269-484	284-511	298-448	318-398	333						
	M	300		195	214-267	228-342	242-435	256-461	270-486	284-426	303-378	317						
SMG500S	EC	560							349	368-460	392-588	410-718	428-856	465-929	489-978	525-1050		
	C	500						310	336-420	353-618	376-753	394-788	411-823	446-892	469-822	504-631		

型号 Model	腔型 Cavity	最大给料尺寸 Max Feeding Size (mm)	紧边排料口及对应的生产能力								CSS (mm) Capacity (t/h)														
			4	6	8	10	13	16	19	22	25	32	38	44	51	57	64	70							
SMG100	EC	150				46	50-85	54-92	58-99	62-105	66-112	76-128													
	C	90				43-53	46-89	50-96	54-103	57-110	61-118	70													
	M	50			36-44	37-74	41-80	45-76	48-59																
	F	38	27-34	29-50	31-54	32-57	35-48	38																	
SMG200	EC	185				69-108	75-150	80-161	86-171	91-182	104-208	115-210													
	C	145				66-131	71-142	76-151	81-162	86-173	98-197	109-150													
	M	90			64-84	69-131	75-142	80-152	86-162	91-154	104														
SMG300	EC	215					114-200	122-276	131-294	139-313	159-357	175-395	192-384												
	C	175					101	109-218	117-292	125-312	133-332	151-378	167-335	183-229											
	M	110				117-187	126-278	136-298	145-318	154-339	176-281	194													
	F	70		90-135	96-176	104-191	112-206	120-221	129-236	137-251	156-208														
SMG500	EC	275					177	190-338	203-436	216-464	246-547	272-605	298-650	328-511											
	C	215					171-190	184-367	196-480	209-510	238-582	263-643	288-512	317-353											
	MC	175					162-253	174-426	186-455	198-484	226-552	249-499	273-364												
	M	135					197-295	211-440	226-470	240-500	274-502	302-403													
SMG700	EC	300						185-304	210-328	225-352	241-376	256-400	292-401	323											
	C	240								448-588	477-849	544-968	601-1070	658-1172	725-1291	782-1393	849-1512	906-1331							
	MC	195								406	433-636	461-893	525-1018	581-1125	636-1232	700-1357	756-1465	820-1461	876-1286						
	M	155									380-440	406-723	432-837	492-954	544-1055	596-1155	657-1272	708-1373	769-1370	821-1206					
	F	90									400-563	428-786	455-836	519-953	573-1054	628-1154	692-1271	746-1372	810-1248	865-1098					
SMG800	EC	370									360-395	385-656	414-704	442-752	470-800	535-912	592-857	649-718							
	C	330												448-588	477-849	544-968	601-1070	658-1172	725-1291	782-1393	849-1512	906-1331			
	MC	260													406	433-636	461-893	525-1018	581-1125	636-1232	700-1357	756-1465	820-1461	876-1286	
	M	195														380-440	406-723	432-837	492-954	544-1055	596-1155	657-1272	708-1373	769-1370	821-1206
	F	120														400-563	428-786	455-836	519-953	573-1054	628-1154	692-1271	746-1372	810-1248	865-1098

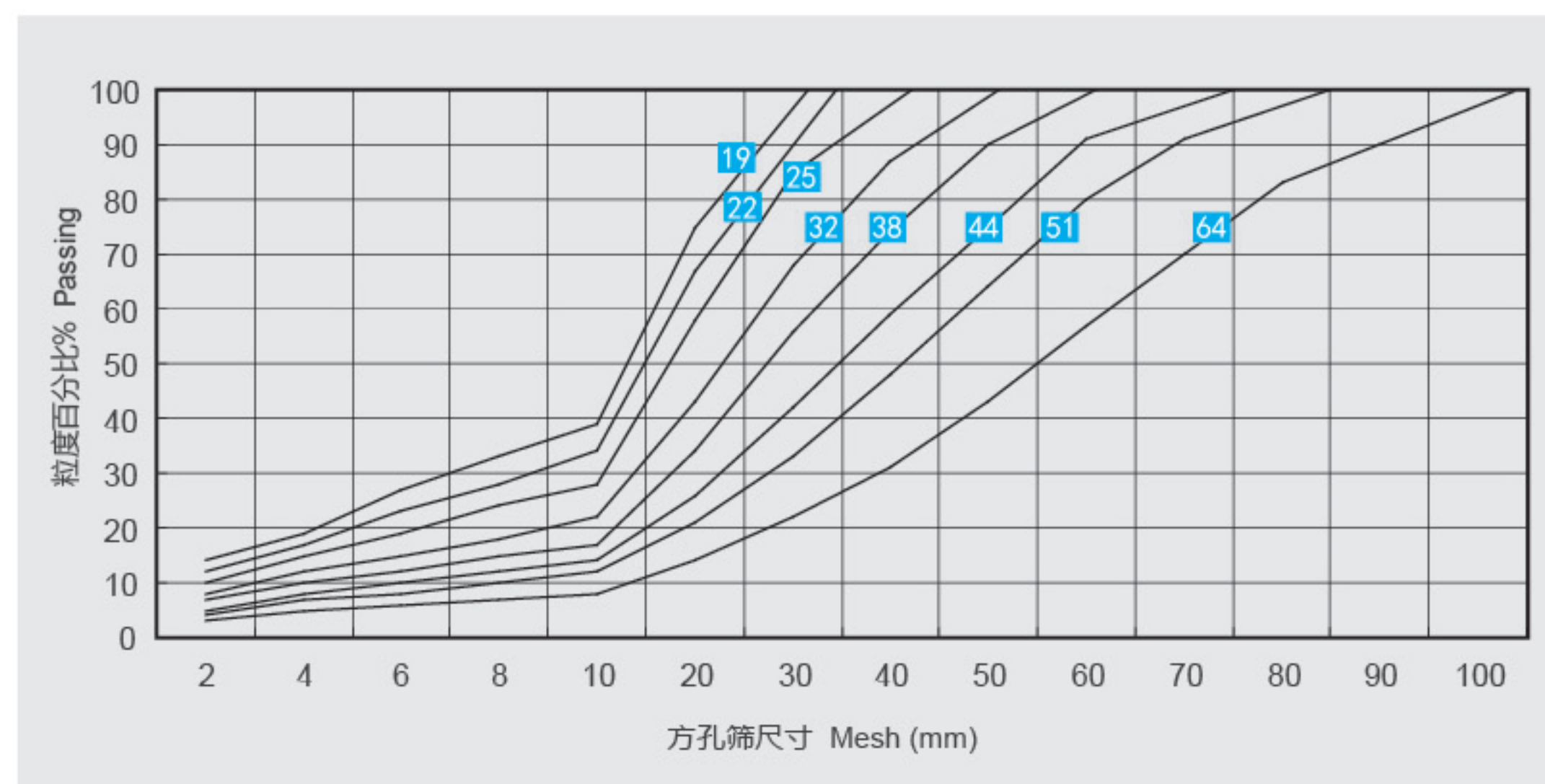
破碎机腔型 Crushers Cavities : EC= Extra Coarse 特粗 ; C= Coarse 粗 ; MC= Medium Coarse 中粗 ; M= Medium 中 ; F= Fine 细
所列破碎机的生产能力, 是基于瞬时取样的测定结果。
Represents capacity through crusher based "instantaneous" product sample.

注 : 生产能力是在破碎中硬物料且堆积密度为 1.6t/m³ 时开路循环生产中总吨数。生产能力与破碎物料的物理性能、给料方式、进料粒度及其组成等情况有关。
Note: The capacity is total tons per hour passing through crusher at open circuit when crushing mid-hard material and bulk density with 1.6t/m³. Capacities are relative to physical



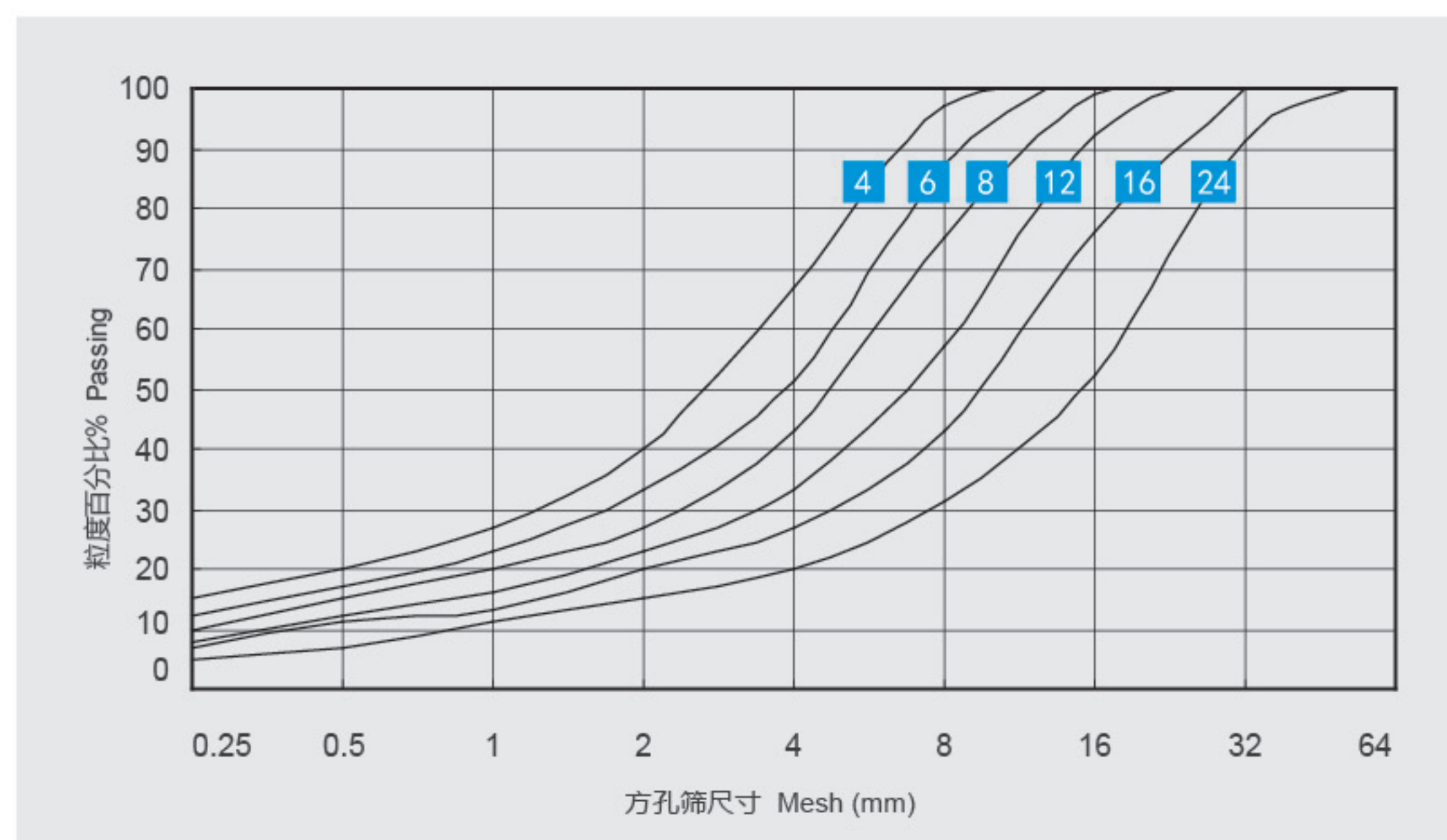
SMG Series Secondary Cone Crushers SMG系列中碎液压圆锥破碎机

粒度分布曲线 Gradation Curves



SMG Series Tertiary Cone Crushers SMG系列细碎液压圆锥破碎机

粒度分布曲线 Gradation Curves



表中粒度与给料粒度、破碎腔型、含水量、物料堆比重、含泥量等因素有关
The shown gradation depends on feed gradation, crushing cavity, moisture, material bulk density, and material mud content.

The capacity chart can be referred when the SMG cone crusher works in the normal condition. The SMG cone crusher is one part of the whole crushing production line, so its performance will be affected by whether the vibrating feeder, belt conveyor, vibrating screen, electric motor, drive part and hopper are suitable or not.

圆锥破碎机的生产能力可作为正常发挥 SMG 系列破碎机生产能力的参照。破碎机是生产线中的一个组成部分。因此它的性能受给料机、皮带机、振动筛、及料仓是否正确选择和操作影响。

Following factors can enhance the capacity and performance of the cone crusher.

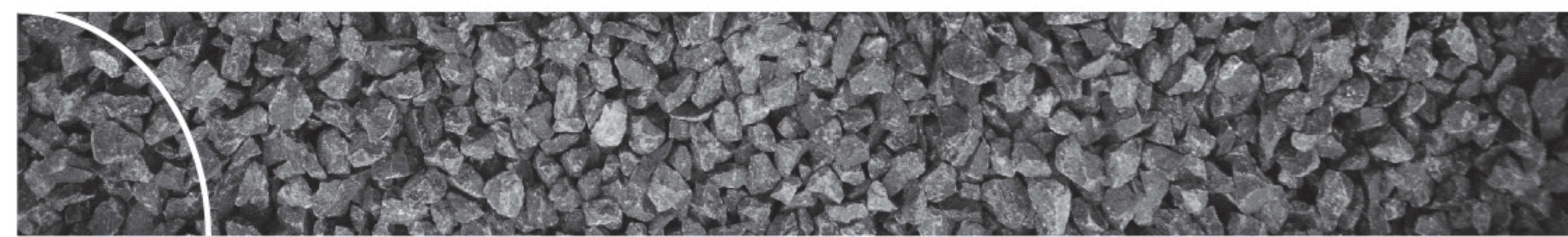
以下因素可提高破碎机的生产能力和性能

1. Choosing the suitable cavity based on the material to be crushed.
针对所破碎的物料正确的选择破碎腔；
2. Feeding size is right appropriate.
给料粒度配比适当；
3. **Controlled feed rate.**
控制给料料；
4. Feeding is even.
在破碎腔 360°范围内给料分布均匀；
5. Discharge conveyor sized to carry maximum crusher capacity.
排料输送机的规格与破碎机的最大处理能力相适应；
6. The specification of vibrating screen is suitable in pre-screening stage and closed screening stage.
适当的选择预先筛分和闭路筛分的筛子规格；
7. Automation control device is adopted.
自动控制装置；
8. The discharging area is enough.
破碎机排料区通畅。

Following factors will reduce the capacity and performance of the cone crusher.

以下因素会降低破碎机的生产能力和性能

1. There are viscous materials in the feed.
破碎机给料中有粘性物料；
2. The fine particle smaller than the discharge opening in the feed exceeds 10% of the production capacity of the crusher.
给料中小于排料口的细粒级超过破碎机生产能力的 10%；
3. Excessive moisture in the feed;
给料中水分过大；
4. Feed segregation in crushing chamber;
破碎腔中给料偏析；
5. The feeding distribution around the crushing chamber is uneven;
沿破碎腔周围的给料分布不均匀；
6. Lack of feeding control;
缺少给料控制；
7. The recommended power is not fully utilized;
未充分利用推荐的功率；
8. Insufficient conveyor capacity;
输送机能力不足；
9. Insufficient capacity of pre-screening and closed-circuit screening;
预先筛分和闭路筛分的能力不足；
10. The discharge area of crusher is blocked;
破碎机排料区不够畅通；
11. The material is too hard or too tough;
物料过硬或过坚韧；
12. The transmission shaft of the crusher operates at a lower speed than the recommended full load speed.
破碎机传动轴在低于推荐的满负荷速度下运转。





上海山美环保装备股份有限公司
SHANGHAI SANME MINING MACHINERY CORP., LTD.
(中德合资控股)
(Sino-German JV Holding)



山美股份官方微信

版权所有 翻印必究 中国印制 Printed in China
SANME-04C | SMG | 2021-12 | 5000

地址：上海市奉贤区青村镇奉村路 258 号
邮编：201414
电话：021-5759 1166 5759 1188
传真：021-5756 6188 5820 0089
网址：www.shsmzj.com
电邮：info@sanmecorp.com

Add: No.258, Fengcun Road, Qingcun County, Fengxian District,
Shanghai 201414, China
Tel: +86-21-5712 1166 5759 1188
Fax: +86-21-5756 6188 5820 0089
Website: www.sanmecrusher.com
E-mail: sales@sanmecorp.com

免费热线：400-921-5566
售后专线：021-5712 7766

Free Hotline: 400-921-5566
Service Center: +86-21-5712 7766

- ◎ 我们的产品在不断的更新和改进中，我们保留在未事先告知用户的情况下，更改参数及设计的权力。
Our products are constantly updated and improved, we reserve the right to change parameters and design without advance notification of customers.
- ◎ 照片中产品外观颜色与实际机型存在差异，颜色标准以实物为准。
If there are any discrepancy and difference between color of product appearance and actual machine type in the picture, color standard is subject to actual object.
- ◎ 本手册中的配置不一定是出厂标准配置，购买时请详细咨询我们。
Specifications and design in the brochures are not always the standard. Please consult us particularly when purchasing.