



SANME



# JC 欧星系列 颞式破碎机

*JC Series Jaw Crusher*



上海山美环保装备股份有限公司  
SHANGHAI SANME MINING MACHINERY CORP., LTD.  
(中德合资控股)  
(Sino-German JV Holding)



# JC series Jaw Crusher

JC欧星系列颞式破碎机



JC series Jaw Crusher has adopted professional crushing technology and research achievement, it is the new crusher which is successfully developed by using finite element analysis method based on years' experience on jaw crusher design and manufacture. Compared with traditional jaw crusher, JC series Jaw Crushers pay more attention to the details. Adopt high-strength material, first-class manufacturing process, and the JC series Jaw Crushers provide the professional of excellent-strength structure, reliable equipments, higher crushing ratio, bigger capacity and lower cost.

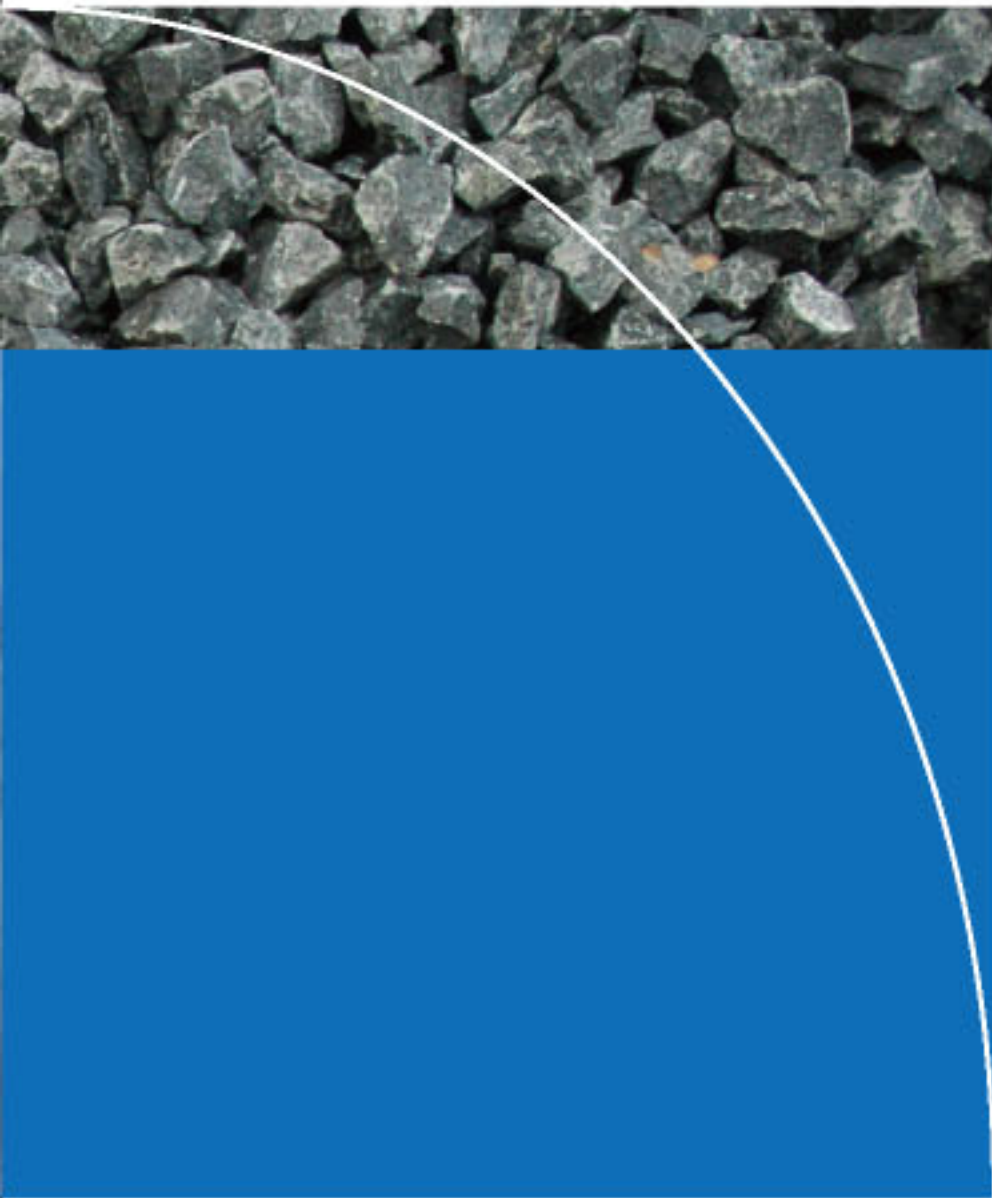
JC 欧星系列颞式破碎机是采用专业的破碎技术和研究成果，在几十年的颞式破碎机设计制造经验的基础上，采用有限元分析方法成功开发的新一代产品。

与传统的颞式破碎机相比，JC 欧星系列颞式破碎机在设计和制造方面对细节更为重视，采用高强度材料及专业的制造工艺，具有结构强度更高、设备可靠性更高、破碎比更大、产量更高、综合加工成本更低等优势。



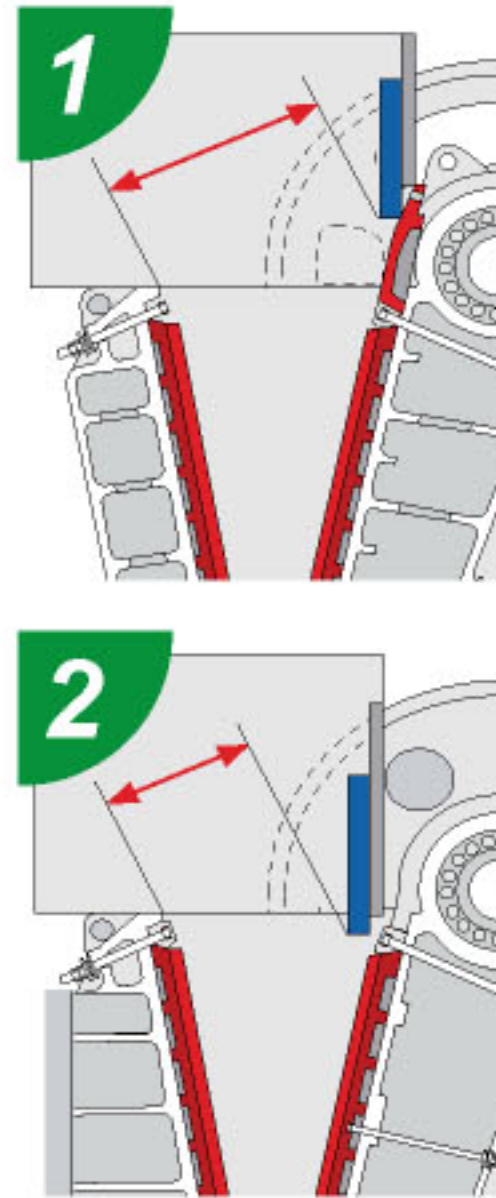
# Features and Benefits

## JC欧星系列颚式破碎机主要特点

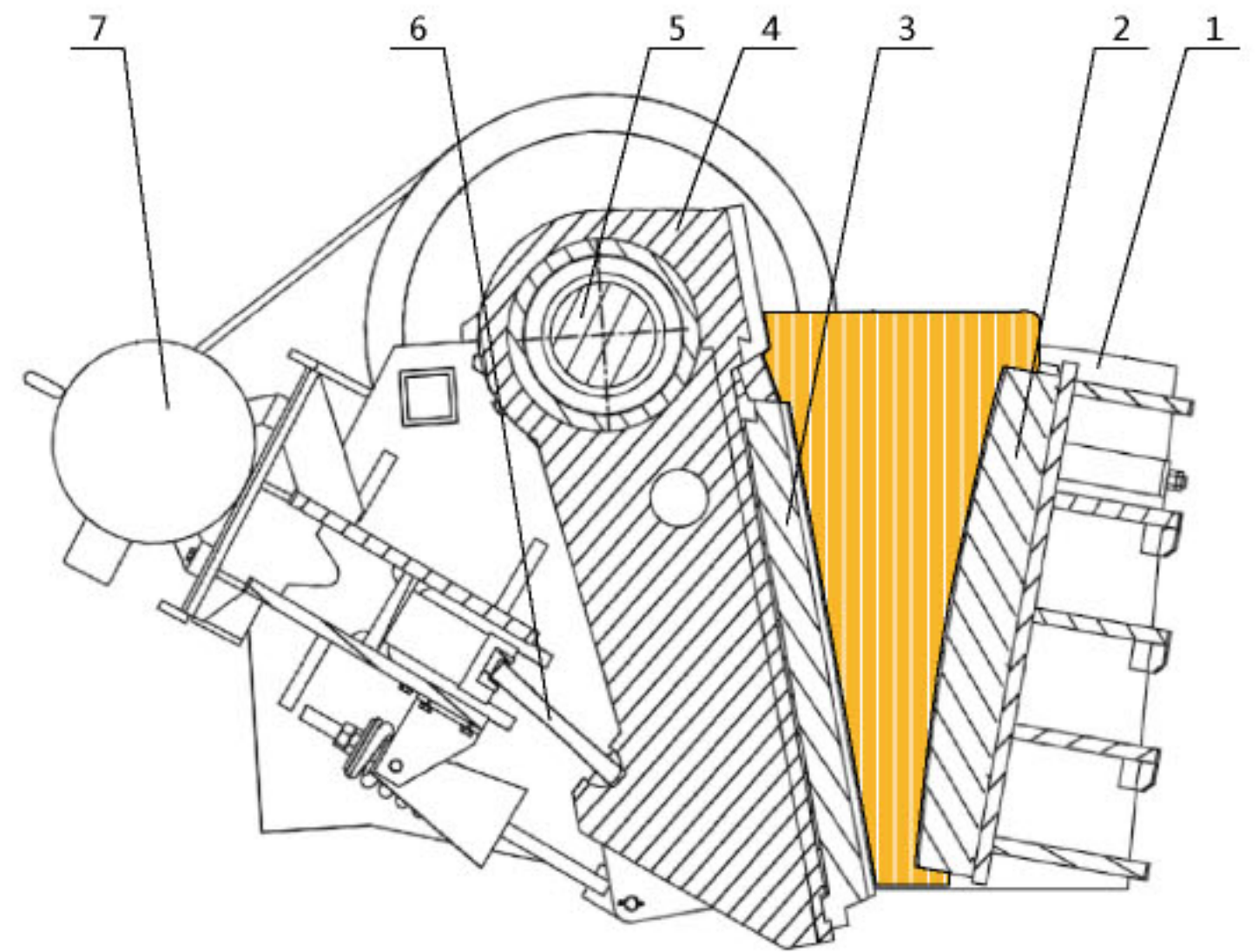


### Comparison between JC Series and PE Series about feed opening

JC 系列与 PE 系列进料口的比较：



1. JC series Jaw Crusher  
JC 系列颚式破碎机
2. PE series Jaw Crusher  
PE 系列颚式破碎机



- 1、机架 Frame
- 2、固定颚板 Fixed Jaw Plate
- 3、动颚板 Movable Jaw Plate
- 4、动颚 Movable Jaw
- 5、偏心轴 Eccentric Shaft
- 6、肘板 Toggle
- 7、电机 Motor

## 1 Sturdy Structure

Two kinds of Frames: Welded and Packaged. Usually, Small and medium sized model adopts welded, large model adopts packaged. Welded frame adopts wide transitional round edge, significantly reducing the stress concentration, ensure the frame under equal strength. It owns the features of good impact resistance and low failure rate, bears same pressure, etc.

Packaged frame uses advanced modularization, no-welding frame structure design, high endurance strength and reliability. The whole set assembling design is convenient for the transporting and installation, especially suitable for installation of underground mine shaft, high altitude mine, as well as other narrow and difficult transporting place.

### 1、坚固的结构

机架分为焊接式和组装式两种：中小型规格一般采用焊接式，大型规格一般采用组装式。

焊接式采用大弧度过渡圆角、低应力区焊接方式，大大降低了应力集中，保证了机架在各方向强度的均等，具有耐冲击性、受力均匀、低故障率等特点。

组装式采用模块化、无焊接框架结构设计，强度和可靠性高，同时整机组装式设计，运输、安装更加方便，特别适用于地下矿井、高海拔矿山等狭小、运输困难场所安装。

## 2 The optimized cavity design enables excellent material feeding capacity

The cavity is engineered in symmetrical "V" type, providing a good steep angle of the toggle plate and a long stroke, which enables a large size of feeding material, high output and better gradation also reduces wear on the jaw plate comparing with traditional PE Series Jaw Crushers.

### 2、优越的腔型设计，进料粒度大

采用对称“V”形腔设计，肘板大倾角、大冲程，比传统 PE 系列颚破进料粒度更大、产量更高、粒度更加均匀，颚板磨损降低。



### 3 Long Working Life of the Heavy-duty Movable Jaw Assembly

Heavy-duty Movable Jaw Assembly adopts heavy-duty eccentric shaft, high quality heavy-load rolling bearings and finite element software optimized movable jaw plate ensuring impact resistance and high stability of moving jaw assembly; labyrinth seal and centralized lubrication system guarantee the bearing lubrication oil is not contaminated and lubrication becomes more convenient. Therefore the assembly can have a long working time and stability.

### 4 Shield Design for the Movable Jaw

Heavy shield is installed above the movable jaw to avoid the material impact. It can effectively protect the movable jaw and its internal bearing from damaging.

### 5 Overall Bearing Support

Overall cast steel bearing housing fully compatible with the frame, avoiding the combined bearing housing has a unnecessary radical load on the bearing during the fastening process, making the bearing to run more smoothly.

### 6 Convenient Discharge Setting Adjustment

JC series Jaw Crusher adopts mechanical or hydraulic adjustment for the discharge range, compared with shim adjustment, double wedge adjustment operations is simpler, secure, fast, and saves more downtime.

### 7 Integrated Motor Installation

Integrated installation of motor seat and frame can not only save installation space, but also can prolong the service life of v-belt, due to the synchronous movement of frame, motor seat, and motor, adjustable motor seat can adjust v-belt tension.

### 8 Vibration Absorption Design

Crusher fixed by rubber vibration absorption device, which can effectively absorb vibration peak, while allow the crusher to move vertically and longitudinally, thus reducing the impact on the foundation.

### 3、重型动颚总成经久耐用

重型动颚总成采用锻造的重型偏心轴、高质量重载滚动轴承，有限元软件优化的动颚体保证了动颚总成耐冲击性和稳定性高；迷宫式密封、集中润滑系统保证了轴承油脂不被污染、润滑更加便捷，使其运行时间更长。

### 4、动颚护板设计

动颚上方安装了重型护板，可避免物料冲击，有效保护动颚体及其内部轴承不受损坏。

### 5、整体轴承座

整体铸钢轴承座结构保证与机架完全配合，使轴承运行更加平稳，避免了组合式轴承座在紧固过程中对轴承造成不必要的径向载荷。

### 6、方便快捷的排矿口调整

JC 系列颚式破碎机采用机械或液压方式调整排料口，其双楔块调整方式相对于垫片调整方式操作更加简单、安全、快捷，节省了停机时间。

### 7、一体化电机安装

电机座与破碎机机架一体式安装方式，不仅节省了颚式破碎机的安装空间，而且由于机架、电机座、电机的同步运动、可调的电机座实现了三角带张力的调节，从而使三角带使用寿命更长。

### 8、减振安装设计

破碎机采用专用的橡胶减震装置固定，有效吸收了设备振动峰值，同时允许破碎机垂直和纵向方向的位移，从而降低了对基础的冲击。





# Technical Data

## 设备技术参数

型号 Model	有效进料口尺寸 Size of Feed Opening(mm)	排料口调整范围 Discharge Range(mm)	处理能力 Capacity(t/h)	电机功率 Motor Power(kw)	重量(带护罩、不含电机) Weight (with guard, excluding motor)(kg)
JC231	510×800	40-150	50-250	55-75	9485
JC340	600×1020	60-175	85-300	75-90	16459
JC3540	650×1060	110-225	120-400	75-90	16932
JC440	760×1020	70-200	120-520	90-110	28020
JC443	850×1100	80-215	170-625	132-160	34756
JC549	950×1250	110-250	260-810	160-200	51236
JC549II	1000×1250	120-300	330-900	160-200	51456
JC5149	1050×1250	160-300	350-900	132-160	51673
JC555	1070×1400	125-250	360-920	160-200	59603
JC5155	1170×1400	225-350	600-1100	160-200	61118
JC649	1100×1250	125-280	385-920	160-200	57193
JC659	1200×1500	150-350	400-1200	200-250	92174
JC663	1200×1600	150-350	500-1450	250-355	92668
JC759	1300×1500	150-350	480-1300	220-280	71485
JC771	1500×1800	150-350	600-1800	315-400	125644
JC783	1500×2100	175-450	800-2700	400-500	145152

### Note: the data is sampled according to on-site operation conditions.

The closed side setting is used for production according to applications and production requirements. For detailed information about the applications of the crusher, please consult Sanme.

The above figures show the output and capacity of the crusher for processing medium and hard materials with bulk density of 1.6t/m<sup>3</sup>. The materials can readily enter the crushing chamber without bridging, the minimum value will be used with feeding material in case of eliminating fines(smaller than crusher setting), and maximum value will be used for feeding materials including fines. The capacity may vary depending on the feeding method and feed characteristics such as gradation, moisture, clay content, bulk density and crushability.

Measurement of the jaw crusher's closed side setting varies depending on the jaw profile that is being used, which will affect the capacity of the crusher and the size of the product. The capacity and performance of the crusher can be improved by following factors:

1. Proper selection of the jaw plate
2. Proper feed gradation
3. Controlled feed rate
4. Enough capacity of the feeder and adequate feed width
5. Adequate crusher discharge area
6. Suitable discharging conveyor is well matched with the maximum capacity of the crusher

注：该数据根据当地使用情况采集获得。

根据用途和生产要求调节紧边排料口。欲了解破碎机在具体应用中的性能，请与山美工程师联系。

以上数据所表示的破碎机产量，处理能力为加工中硬物料、破碎物料松散密度为 1.6t/m<sup>3</sup> 时的数据。给料能够顺利进入破碎腔、无架桥卡堵现象，给料剔除小于排料口细料时取小值，含细料时取大值。产量可能随给料方式和物料性质诸如粒度组成、含水含泥量、松散密度和可碎性而变化。

破碎机紧边排料口的检测方法随所用颚板齿型的变化有所不同。

它将对破碎机的能力和产品粒度产生影响。

以下因素可提高破碎机的能力和性能：

1. 适当的颚板选择
2. 适当的给料级配
3. 可控的给料量
4. 足够的给料机能力和给料宽度
5. 充分的破碎机排料区
6. 排料皮带机与破碎机最大能力相匹配





上海山美环保装备股份有限公司  
SHANGHAI SANME MINING MACHINERY CORP., LTD.  
(中德合资控股)  
(Sino-German JV Holding)



山美股份官方微信

版权所有 翻印必究 中国印制 Printed in China  
SANME-08C | JC | 2022-01 | 1500

地址：上海市奉贤区青村镇奉村路 258 号  
邮编：201414  
电话：021-5759 1166 5759 1188  
传真：021-5756 6188 5820 0089  
网址：www.shsmzj.com  
电邮：info@sanmecorp.com

---

Add: No.258, Fengcun Road, Qingcun County, Fengxian District,  
Shanghai 201414, China  
Tel: +86-21-5712 1166 5759 1188  
Fax: +86-21-5756 6188 5820 0089  
Website: www.sanmecrusher.com  
E-mail: sales@sanmecorp.com

---

免费热线：400-921-5566  
售后专线：021-5712 7766

---

Free Hotline: 400-921-5566  
Service Center: +86-21-5712 7766

---

- 我们的产品在不断的更新和改进中，我们保留在未事先告知用户的情况下，更改参数及设计的权力。  
*Our products are constantly updated and improved, we reserve the right to change parameters and design without advance notification of customers.*
- 照片中产品外观颜色与实际机型存在差异，颜色标准以实物为准。  
*If there are any discrepancy and difference between color of product appearance and actual machine type in the picture, color standard is subject to actual object.*
- 本手册中的配置不一定是出厂标准配置，购买时请详细咨询我们。  
*Specifications and design in the brochures are not always the standard. Please consult us particularly when purchasing.*