



山美

E-SMS 欧星系列 多缸液压圆锥破碎机

E-SMS Series hydraulic cone crusher



上海山美环保装备股份有限公司
SHANGHAI SANME MINING MACHINERY CORP., LTD.
(中德合资控股)
(Sino-German JV Holding)

破碎筛分解决方案的理想选择

The ideal choice for crushing and screening solutions

E-SMS欧星系列液压圆锥破碎机通过提供高产能、高质量的最终产品和高能效的卓越性能，为客户创造更大价值。

E-SMS Series hydraulic cone crushers create greater value for customers by providing high capacity, high quality end products and superior performance with high energy efficiency.



E-SMS欧星系列液压圆锥破碎机采用固定式主轴设计，将主轴转速、冲程以及破碎腔型设计完美结合，从而提高了生产能力和产品质量，提高了破碎的细碎能力，扩大了应用范围。

E-SMS欧星系列液压圆锥破碎机适合破碎坚硬、中等硬度以上的各种矿石和岩石，在中碎、细碎作业中具有无与伦比的破碎性能，能有效降低成本且节约能源，而且易于自动控制，具有更好可靠性和灵活性，可以真正地为客户创造更多价值。

E-SMS series hydraulic cone crusher adopts the design of fixed main shaft, which perfectly combines main shaft speed, stroke and crushing cavity design, thus improving the capacity and product quality with increasing fine crushing capacity and expanding the application range.

E-SMS series hydraulic cone crushers are suitable for crushing hard, above medium hardness ores and rocks, with unparalleled crushing performance in medium and fine crushing operations. It can really create more value for customers with effective cost and energy saving, easy automatic control, better reliability and flexibility.

产品优势

Product Advantages

更高的生产能力

E-SMS欧星系列液压圆锥破碎机的优势在于将更高的转速与冲程结合，从而使碎机的额定功率和通过能力大大提高，与相同规格的设备相比，生产能力更大。

E-SMS欧星系列液压圆锥破碎机的破碎技术能够用较少或者较小的设备，在最小的空间中得到最大产量。

Higher Capacity

The advantage of E-SMS series hydraulic cone crusher is the combination of higher speeds and strokes, resulting in a much higher rated power and throughput of the crusher and greater capacity compared to the same size crusher.

E-SMS series hydraulic cone crusher's crushing technology enables maximum throughput in the smallest space with less or smaller equipment.

更高的质量

E-SMS欧星系列液压圆锥破碎机在破碎过程中能够形成层压破碎，使粒级更为均匀，用于生产石料，产品形状更整齐(立方性)，从而提高产品的价值；用于选矿厂中细碎，产品粒度更细，粉面含量高、达到“多碎少磨”效果。

E-SMS欧星系列液压圆锥破碎机通过转动定锥调整方式，保持排料口的恒定，提高整个生产过程的稳定性。此外，过铁保护装置能确保破碎机在通过铁块以后能够立即复位，保持排料口的稳定。

E-SMS欧星系列液压圆锥破碎机能以较少的破碎段数，生产更细的产品，降低成本并节约能源。

Higher Quality

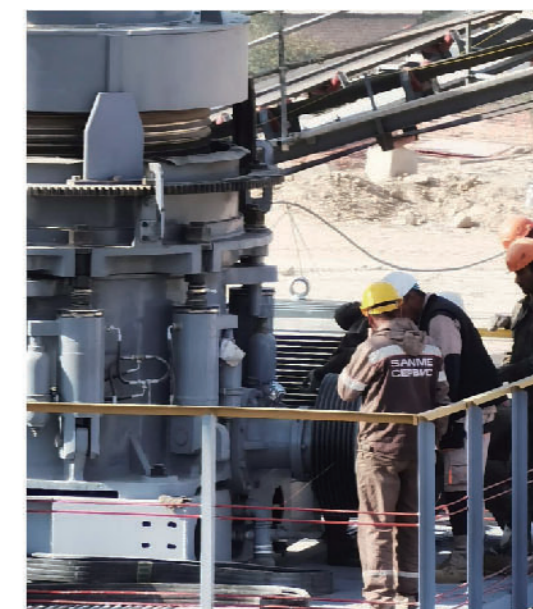
E-SMS series hydraulic cone crusher can form laminated crushing during the crushing process, making the grain size more uniform, and the product shape is more neat (cubic) for the production of stone, thus increasing the value of the product; the product size is finer and the powder content is higher for the medium and fine crushing in concentrator.

The E-SMS series hydraulic cone crusher is adjusted by rotating the concave to keep the discharge opening constant and improve the stability of the whole production process. In addition, the over-iron protection device ensures that the crusher can be reset immediately after passing the iron to keep the discharge opening stable.

E-SMS series hydraulic cone crushers can produce finer products with fewer crushing stages, thus reducing costs and saving energy.



E-SMS5000液压圆锥破碎机
E-SMS5000 hydraulic cone crusher



山美外籍售后服务工程师在国外骨料项目现场指导
E-SMS4000液压圆锥破碎机设备安装
SANME's foreign after-sales service engineers guide the
installation of E-SMS4000 hydraulic cone crusher at overseas
aggregate project site

主要特点和优点

Features and Benefits

固定主轴

优点是让各个零件的受力更为合理, 动力转化更为有效, 能够使用更大的偏心距和更高的转速, 从而获得更高的产量。

Fixed main shaft

The advantage is that the force on each part is more reasonable, the power conversion is more efficient so as to use the larger eccentricity and higher speed and have higher output.

优化的腔型

通过量更大, 破碎行程更长, 配合动锥的高摆频, 使得成品率更高, 产量更大, 粒型更优。

Optimized cavity

The higher throughput and longer crushing stroke, together with the high swing frequency of the mantle, result in higher yield, higher output and better grain shape.

改进的保险缸、蓄能器

当破碎机在过铁或其他负载突然增大时, 保险缸的液压油可以瞬间的流回蓄能器, 快速的抬升活塞杆, 从而更好的保护破碎机零部件, 减少冲击负载对机器的伤害。

Modified release cylinder and accumulator

When the crusher is passing iron or other sudden increase in load, the hydraulic oil of the release cylinder can flow back to the accumulator instantly and lift the piston rod quickly, so as to better protect the crusher parts and reduce the damage of the impact load on the machine.

调整套锁固

在完成调整排料口之后, 调整套的锁固通过液压锁紧缸来完成, 您只需按一个按钮即可完成锁紧调整套的工作, 降低了劳动强度。

Locking the adjusting sleeve

After finishing adjusting the discharge port, the locking of the adjusting sleeve is done by hydraulic locking cylinders. Locking the adjusting sleeve can be completed via pressing one button, which reduces the labor intensity.

清腔

使用液压缸“一键式”清腔, 减少维护难度。

Clear cavity

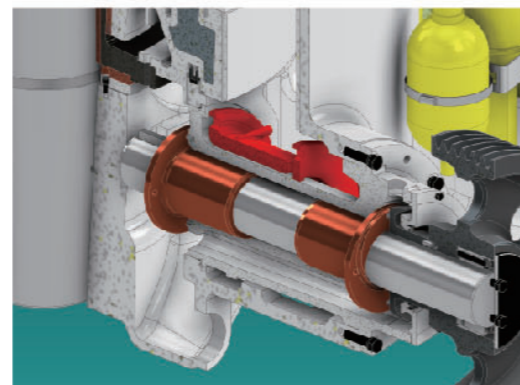
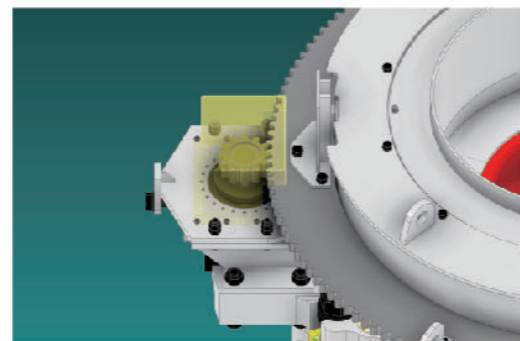
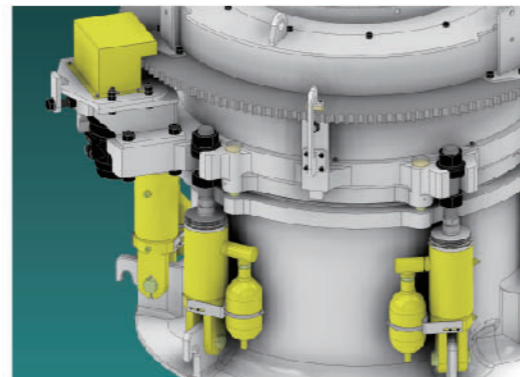
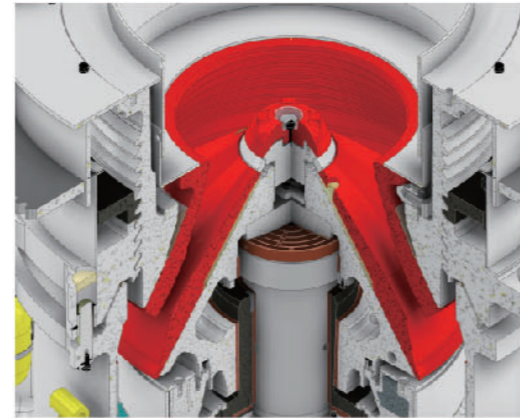
"One switch" of hydraulic cylinder clears the crushing cavity, thus reducing maintenance difficulties.

液压排料口调整

E-SMS 欧星系列液压圆锥破碎机排料口的调整通过液压马达带动调整套来实现, 配合液压锁固缸锁紧调整套。

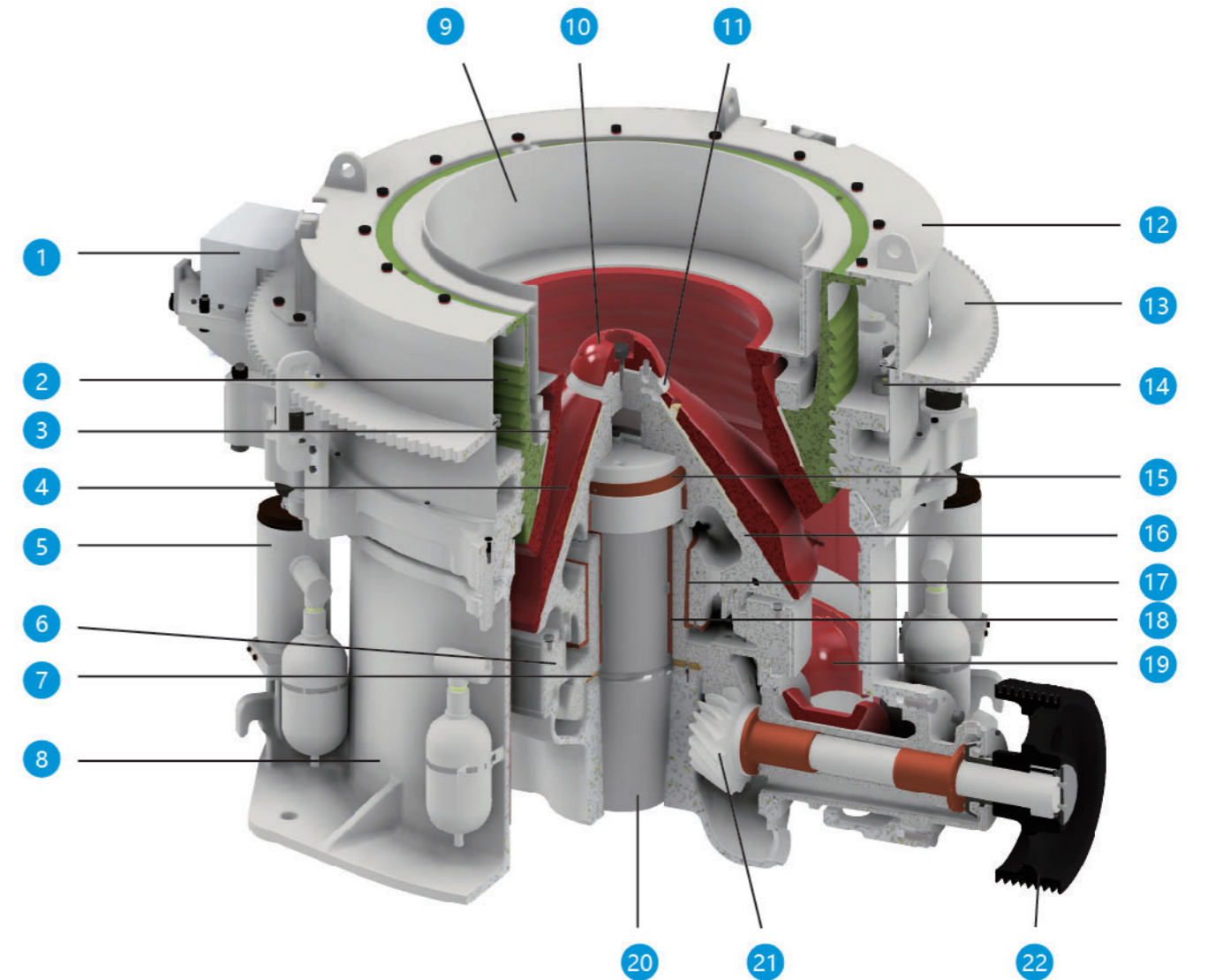
Hydraulic discharge adjustment

The adjustment of the discharge opening of the E-SMS series hydraulic cone crusher is achieved by the hydraulic motor driving the adjusting sleeve with the hydraulic locking cylinder to lock the adjusting sleeve.



主要部件

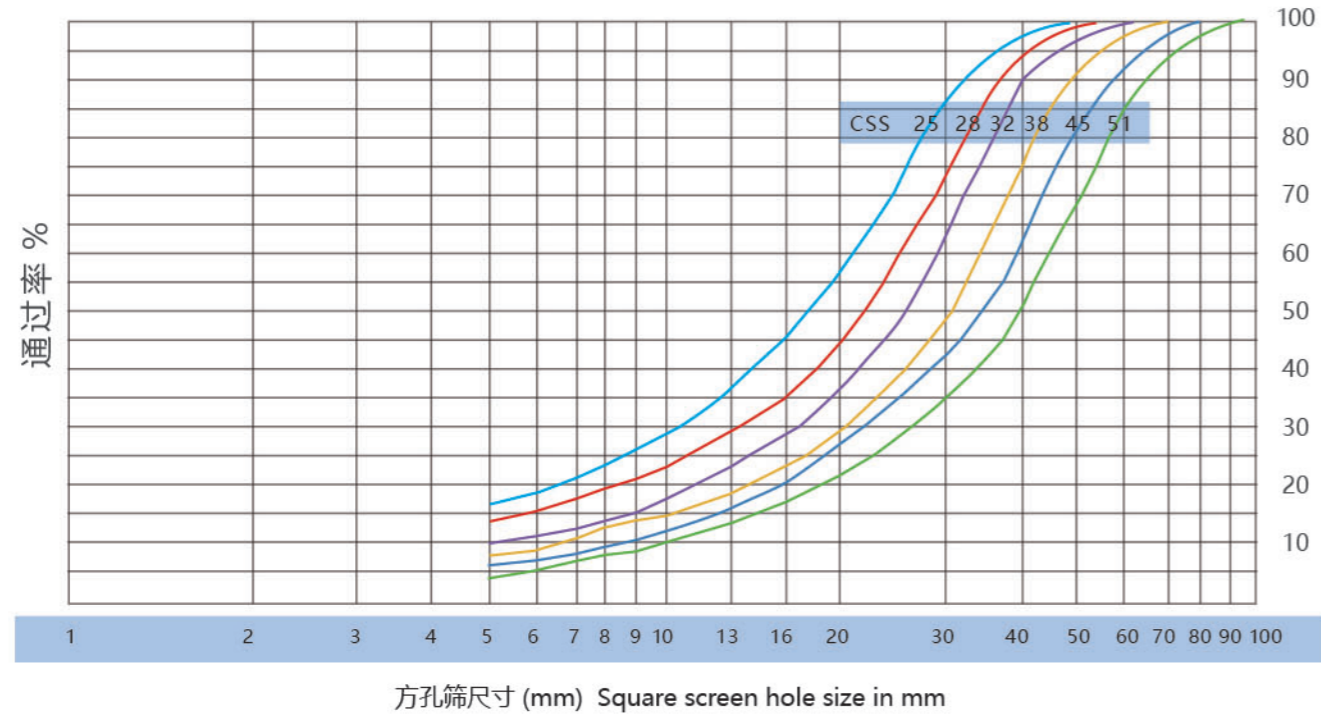
Main Components



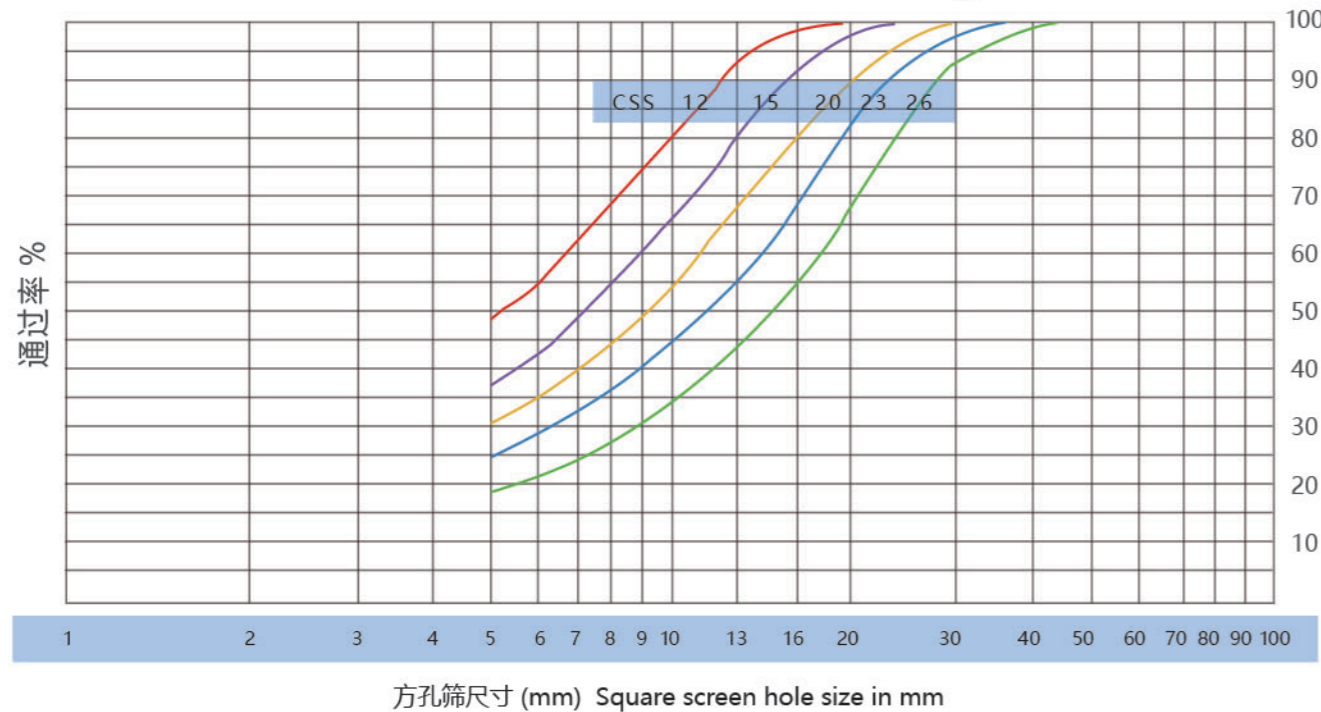
- | | | | | | |
|--------------------------------------|----------------------------|----------------------------|----------------------------|------------------------------|-------------------------------|
| 1 液压马达组件
Hydraulic motor assembly | 2 调整套
Adjustment sleeve | 3 轧臼壁
Concave | 4 破碎壁
Mantle | 5 液压缸
Hydraulic cylinder | 6 平衡圈
Counterweight |
| 7 上下推力板
Top & Bottom thrust plate | 8 机架
Frame | 9 进料斗
Hopper | 10 分料盘
Distribute plate | 11 压环
Pressing ring | 12 调整帽
Adjustment cap |
| 13 大齿轮
Ring gear | 14 锁紧缸
Locking cylinder | 15 碗型瓦
Socket liner | 16 躯体
Main body | 17 躯体衬套
Main body bushing | 18 主轴衬套
Main shaft bushing |
| 19 护板
Guard plate | 20 主轴
Main shaft | 21 大小齿轮
Gear and pinion | 22 大皮带轮
Pulley | | |

粒度分布曲线 Gradation Curves

中碎作业排料粒度分布曲线
Gradation Curves for medium crushing



细碎作业排料粒度分布曲线
Gradation Curves for fine crushing



技术参数 Technical Date

型号 Model	生产能力 (吨 / 小时) - 开路循环, 紧边排料口 (毫米) Capacity (t/h) - Open Circuit, Closed Side Setting (mm)								
	10	12	15	20	25	32	40	45	52
E-SMS2000	90-120	105-135	130-170	155-195	170-220	190-235	220-260		
E-SMS3000	115-140	130-160	170-200	200-240	230-280	250-320	300-380	350-440	
E-SMS4000	140-175	180-220	220-280	260-320	295-370	325-430	370-500	410-560	465-630
E-SMS5000	175-220	220-280	260-340	320-405	365-455	405-535	460-630	510-700	580-790
E-SMS8000	260-335	320-420	380-500	440-550	495-730	545-800	620-960	690-1050	790-1200
E-SMS8500	465-560	490-580	510-615	580-690	735-980	920-1180	1150-1290	1280-1610	1460-1935

型号 Model	电机功率 Motor Power (KW)	腔型 Cavity Type	紧边给料口 (毫米) Closed Side Feed Opening (mm)	开边给料口 (毫米) Open Side Feed Opening (mm)	最小排料口 (毫米) Minimum Discharge Opening (mm)
E-SMS2000	132-160	C	185	208	20
		M	125	156	17
		F	95	128	15
		DC	76	114	10
		DM	54	70	6
E-SMS3000	200-220	DF	25	66	6
		EC	233	267	25
		C	211	240	20
		M	150	190	15
		F	107	148	12
E-SMS4000	315	DC	77	123	10
		DM	53	100	8
		DF	25	72	6
		EC	299	333	30
		C	252	292	25
E-SMS5000	355-400	M	198	245	20
		F	111	164	15
		DC	92	143	10
		DM	52	107	8
		DF	40	104	6
E-SMS8000	630	EC	335	372	30
		C	286	322	25
		M	204	246	20
		F	133	182	15
		DC	95	152	12
E-SMS8500	630	DM	57	116	10
		DF	40	105	6
		EC	353	375	32
		C	297	340	32
		M	267	308	25
E-SMS8500	630	F	219	264	16
		DC	155	210	13
		DM	92	150	10
		DF	33	98	5
		C	343	384	30
E-SMS8500	630	M	308	347	25
		F	241	282	20
		DC	113	162	12
		DM	68	117	6
		DF	40	91	6

所列破碎机的生产能力是基于中等硬度岩石的瞬时取样测定结果。以上数据仅供参考，具体项目的设备选型请联系我们的工程师。
The crusher capacities listed are based on instantaneous sampling of medium hard rock. The above data is for reference only, please contact our engineers for equipment selection for specific projects.

注：生产能力表可作为 E-SMS 欧星系列圆锥破碎机初步选型的参考数据，表中数据适用于松散密度 1.6t/m³ 的物料，给料中筛除小于排料口粒级、开路作业条件下的生产能力；在给料中细粒级含量较高、闭路作业条件下，设备能力比开路作业高 15%-30%。破碎机作为生产回路中的一个重要组成部分，其性能的发挥部分取决于给料机、皮带机、振动筛、支撑结构、电动机、传动装置及料仓等正确选择和操作使用。

Note: The table of production capacity can be used as reference for the initial selection of E-SMS series cone crushers. The data in the table applies to the production capacity of materials with a bulk density of 1.6t/m³, feeding materials smaller than the discharging particle size have been screening out, and under the open circuit operation conditions. The equipment capacity is 15-30% higher than open circuit operation under the condition of high content of fine grains in the feed material and closed circuit operation. Crusher as an important part of the production circuit, its performance depends partly on the correct selection and operation of feeders, belts, vibrating screens, support structures, motors, transmission devices and bins.

项目展示 Projects



SMS5000圆锥破碎机应用于华新水泥（长阳）白云岩骨料项目
SMS5000 Cone Crusher at Aggregate Project for Huaxin Cement (Changyang)



SMS5000圆锥破碎机应用于河南石灰岩骨料项目
SMS5000 Cone Crusher at Limestone Aggregate Project in Henan

项目展示 Projects

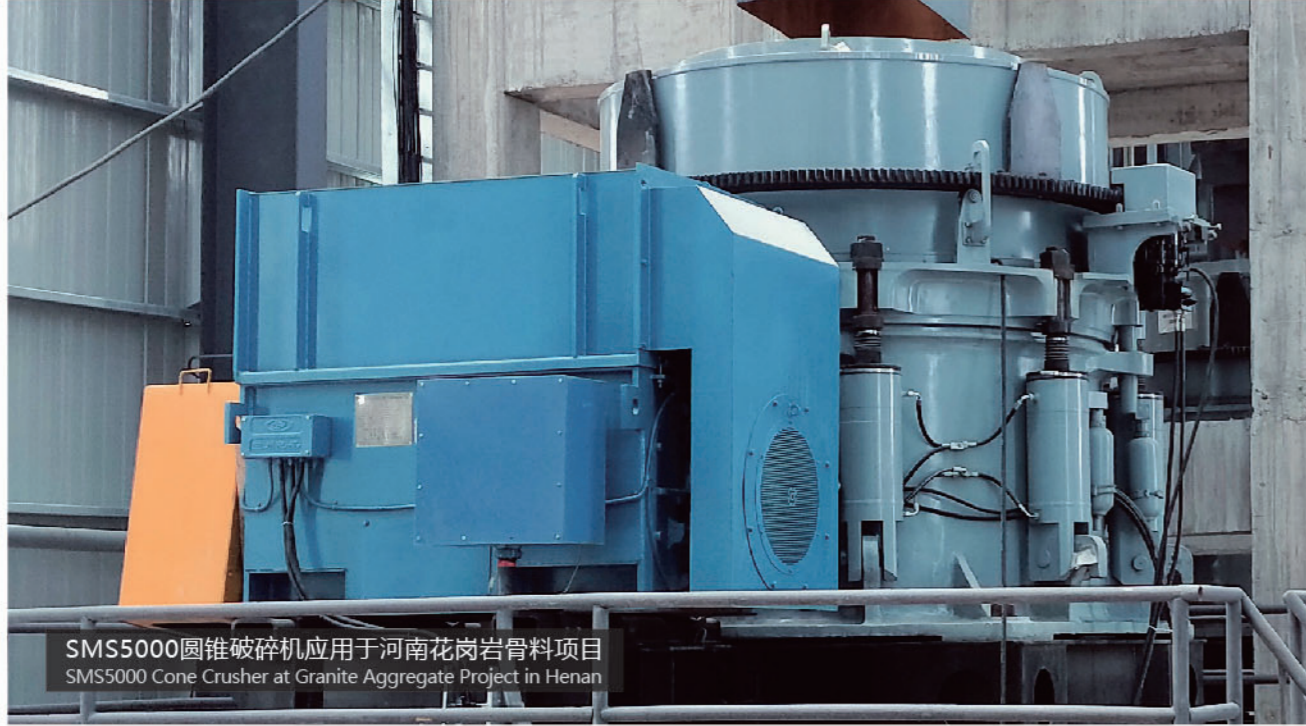


SMS5000圆锥破碎机应用于山东花岗岩骨料项目
SMS5000 Cone Crusher at Granite Aggregate Project in Shandong



SMS5000圆锥破碎机应用于同力水泥骨料项目
SMS5000 Cone Crusher at Aggregate Project for Tongli Cement

项目展示 Projects



项目展示 Projects





上海山美环保装备股份有限公司
SHANGHAI SANME MINING MACHINERY CORP., LTD.
(中德合资控股)
(Sino-German JV Holding)



山美股份官方微信

地址：上海市奉贤区青村镇奉村路 258 号
邮编：201414
电话：021-5759 1166 5759 1188
传真：021-5756 6188 5820 0089
网址：www.shsmzj.com
电邮：info@sanmecorp.com

Add: No.258, Fengcun Road, Qingcun County, Fengxian District,
Shanghai 201414, China
Tel: +86-21-5712 1166 5759 1188
Fax: +86-21-5756 6188 5820 0089
Website: www.sanmecrusher.com
E-mail: sales@sanmecorp.com

免费热线：400-921-5566
售后专线：021-5712 7766

Free Hotline: 400-921-5566
Service Center: +86-21-5712 7766

- 我们的产品在不断的更新和改进中，我们保留在末事先告知用户的情况下，更改参数及设计的权力。
Our products are constantly updated and improved, we reserve the right to change parameters and design without advance notification of customers.
- 照片中产品外观颜色与实际机型存在差异，颜色标准以实物为准。
If there are any discrepancy and difference between color of product appearance and actual machine type in the picture, color standard is subject to actual object.
- 本手册中的配置不一定是出厂标准配置，购买时请详细咨询我们。
Specifications and design in the brochures are not always the standard. Please consult us particularly when purchasing.