



山美

E-SMG 欧星系列 单缸液压圆锥破碎机

E-SMG Series Hydraulic Cone Crusher



上海山美环保装备股份有限公司
SHANGHAI SANME MINING MACHINERY CORP., LTD.
(中德合资控股)
(Sino-German JV Holding)

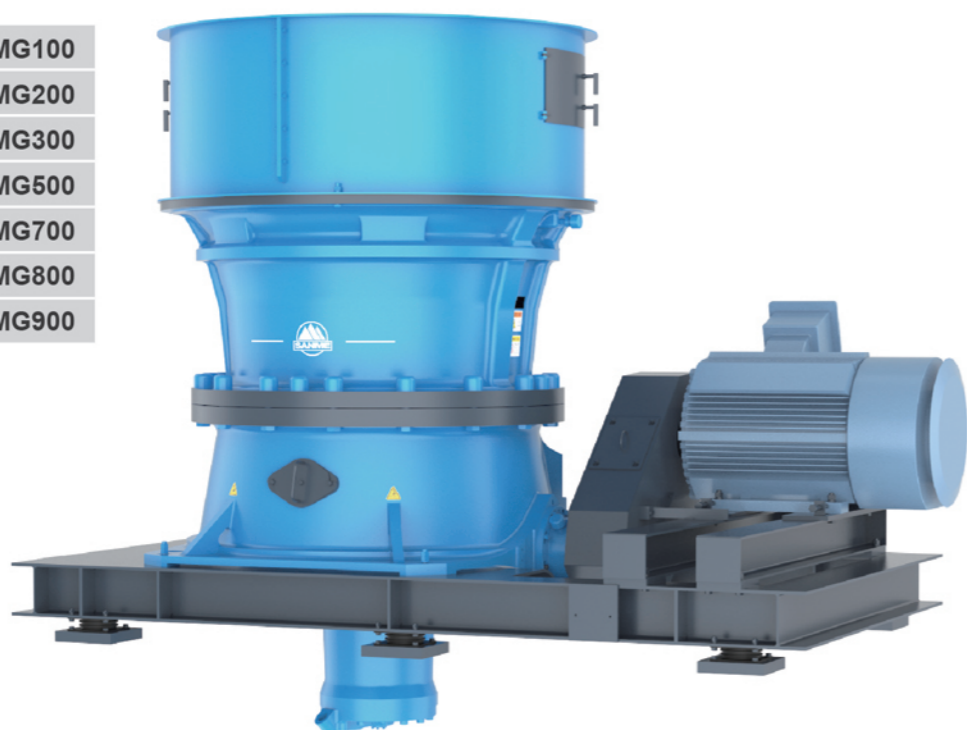
E-SMG欧星系列单缸液压圆锥破碎机

E-SMG Series Hydraulic Cone Crusher

E-SMG欧星系列单缸液压圆锥破碎机设计先进、占地面积小、产能高、破碎效率高，产品粒型佳。

The E-SMG series hydraulic cone crusher has an advanced design, small footprint, high capacity and crushing efficiency with a very good product shape.

E-SMG100S	E-SMG100
E-SMG200S	E-SMG200
E-SMG300S	E-SMG300
E-SMG500S	E-SMG500
	E-SMG700
	E-SMG800
	E-SMG900



E-SMG 欧星系列单缸液压圆锥破碎机是上海美股份总结多年经验，吸收世界先进破碎机技术而自主研发和设计的新型高效圆锥破碎机，集机械、液压、电气、自动化和智能控制等技术于一体，可靠性高、运行成本低，可广泛应用于矿山和砂石骨料行业，适合破碎坚硬、中等硬度以上的各种矿物和岩石，是物料中碎和细碎的理想选择。

E-SMG series hydraulic cone crusher is a new type of high efficiency cone crusher developed and designed by SANME after years of experience and absorption of advanced crusher technology. It can be widely used in mining and aggregate industry, suitable for crushing various minerals and rocks above medium hardness, and is ideal for secondary and tertiary crushing.

产品特点和优点

Features and Benefits

优化的腔型 更高的产量 更佳的产品质量

E-SMG 欧星系列单缸液压圆锥破碎机是在总结各种破碎腔型优点的基础上，经历理论分析和实践检验的情况下设计出的，通过将破碎腔型、偏心距与运动参数完美结合，实现了更高的生产效率，更优的产品质量。

E-SMG 欧星系列单缸液压圆锥破碎机具有多种破碎腔型可供选择，通过选择合适的破碎腔型及偏心距，可以较大限度的满足客户的生产要求，实现高产量。在挤满给料情况下，能够实现层压破碎，使最终的产品粒形更优、立方体颗粒含量更多。

Optimized cavity, higher capacity and better quality

E-SMG series hydraulic cone crusher is designed on the basis of summarizing the advantages of various crushing cavity and undergoing theoretical analysis and practical testing. By perfectly combining the crushing cavity, eccentricity and motion parameters, it achieves higher production efficiency and better product quality.

The E-SMG series hydraulic cone crusher offers a variety of crushing cavities to choose from. By selecting the appropriate crushing cavity and eccentricity, the SMG series hydraulic cone crusher can meet the customer's production requirements to a large extent and achieve high output. The SMG series hydraulic cone crusher is able to achieve laminated crushing under the crowded feeding condition, which makes the final product with better particle shape and more cubic particles.

易损件消耗少 运行成本低

由于采用液压调整排矿口，可以及时、方便的调整排矿口，使破碎机在挤满给料状态下工作，降低易损件的消耗，降低运营成本。

Low consumption of wearing part and operating cost

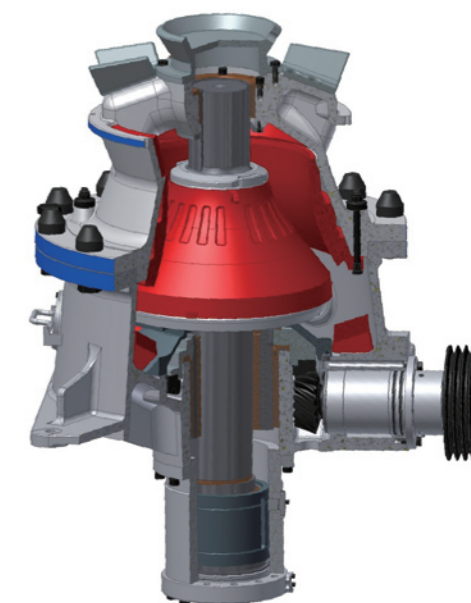
The discharge opening can be adjusted timely and conveniently with hydraulic adjustment, which realizes full load operation, lowers wear parts consumption and reduces operating cost.

粗细破碎转换方便

因为破碎机的主体结构相同，所以只需通过更换衬板就可以获得不同的破碎腔型，可以满足粗细碎的不同工艺要求。

Easy cavities exchange

Due to the same body structure, we can get different crushing cavity by changing liner plate to fulfill the various processing for coarse and fine crushing.



产品特点 and 优点

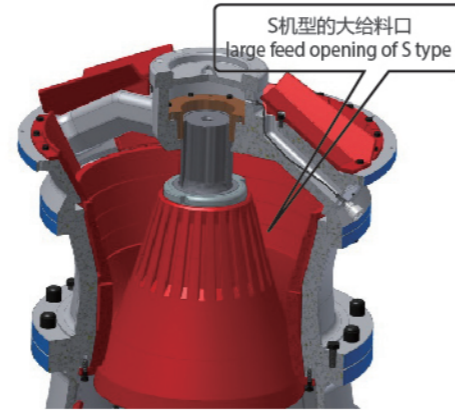
Features and Benefits

大给料口设计

E-SMG 欧星系列液压圆锥破碎机的 S 机型采用大给料口设计，可以和前段的粗碎颚式破碎机或旋回破碎机形成更好的配套，提高破碎系统的处理能力；在加工河卵石时，可以替代颚破作为粗碎。

Large feeding opening

S-type large feeding opening is adopted by E-SMG series cone crusher to better support primary jaw crusher or gyratory crusher, which greatly improves the crushing capacity. When processing river pebbles, it can replace jaw crusher and work as primary crusher.



专业的液压技术使操作简单和维修方便

由于采用了专业的液压技术，可有效实现过载保护，简化了破碎机结构，减轻了重量。当有不可破碎的异物进入破碎腔时，液压系统可以平缓的释放冲击力以保护主机，并在异物通过后恢复到原来的排料口，避免出现闷车的现象。如果破碎机在负载的情况下停机，液压缸能提供较大的清腔行程，帮您快速地清理掉破碎腔中的石料，并可以恢复到原来的排料口，不需要您再次调整排料口。相对于传统的弹簧式圆锥破碎机来说，更加安全、更加快捷，较大限度的节约了您的停机时间。

所有的维护和检查都可以从破碎机的上部来完成，使维修更方便。

Advanced hydraulic technology offers easy operation and maintenance

Due to adopting advanced hydraulic technology, overload protection can effectively be realized, which simplify the structure of crusher and reduces its weight. When some unbreakable materials enter the crushing cavity, the hydraulic systems can release the impact force gently to protect the crusher and the discharge opening will restore to the original setting after the materials are discharged, avoiding extrusion failure. If cone crusher is stopped because of overload, the hydraulic cylinder clears the materials in the cavity with the large clearance stroke and the discharge opening will restore to the original position automatically without readjusting. Hydraulic cone crusher is much safer, quicker and saves more down time compared with traditional spring cone crusher.

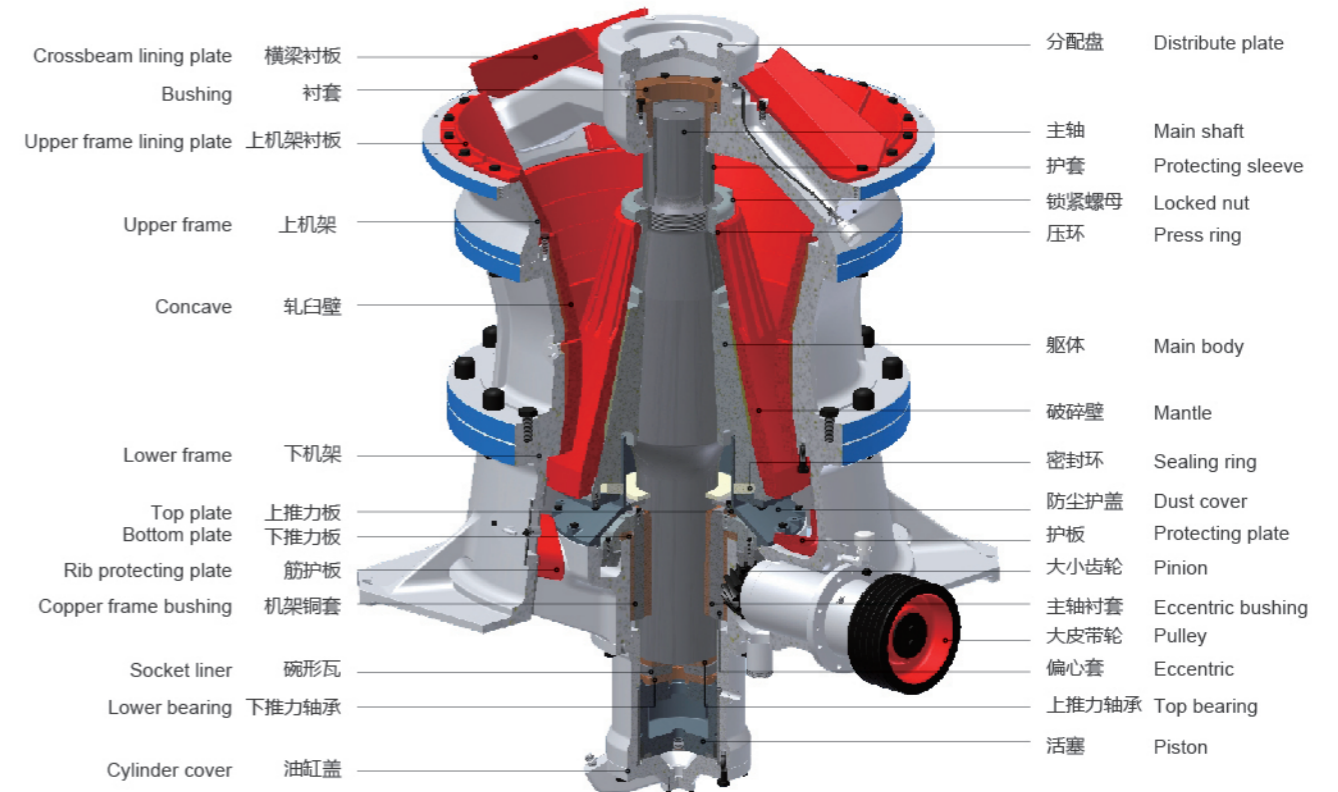
All maintenance and inspection can be completed through the upper part of crusher, which ensures easy maintenance.



E-SMG 欧星系列液压圆锥破碎机 (中碎)

E-SMG Series cone crusher (Secondary Crushing)

主要部件 Main Components

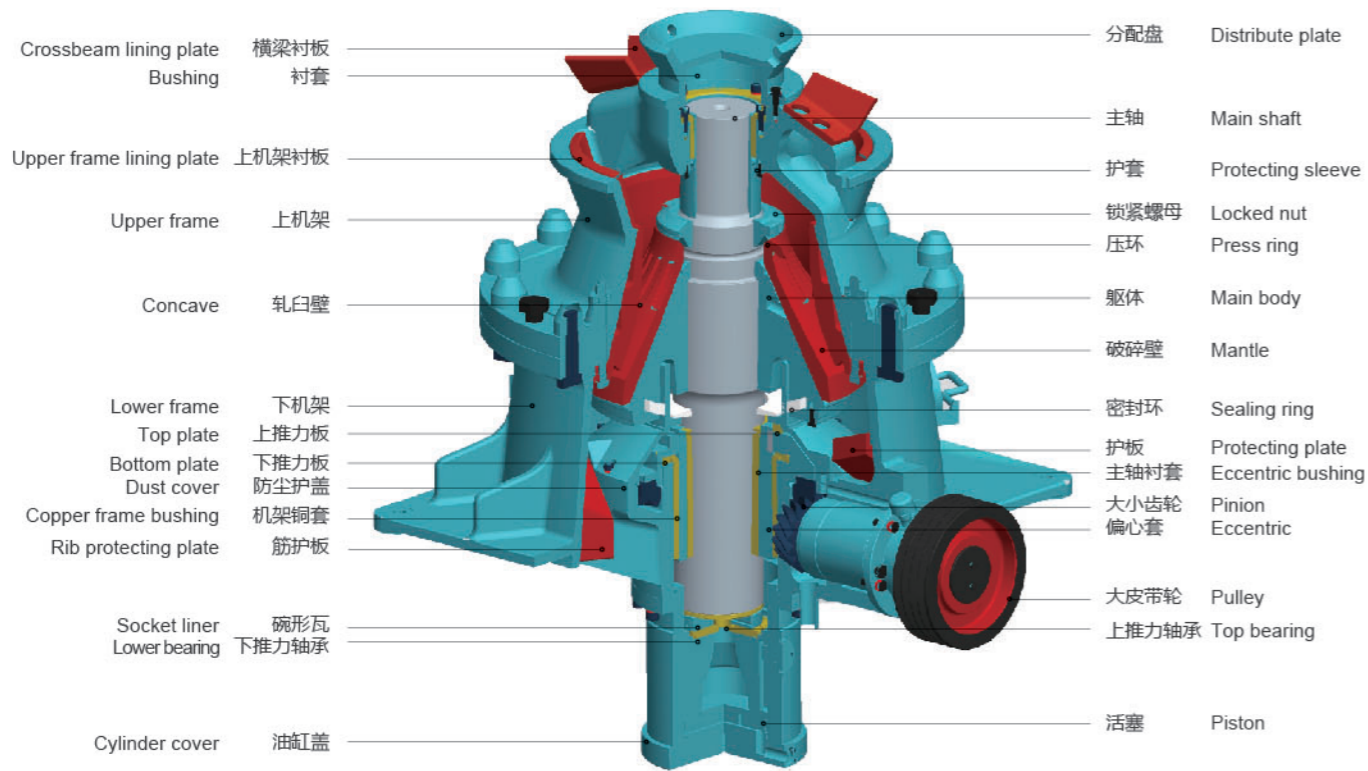


技术参数 Technical Date

型号 Model	E-SMG100S	E-SMG200S	E-SMG300S	E-SMG500S
电机功率 Moter Power (kw)	90	160	250	315
最大进料尺寸 Max Feeding Size (mm)	240	360	450	560
生产能力 Capacity (t/h)	76-168	98-330	195-600	310-1050

E-SMG欧星系列液压圆锥破碎机 (细碎) E-SMG Series cone crusher (Tertiary Crushing)

主要部件 Main Components

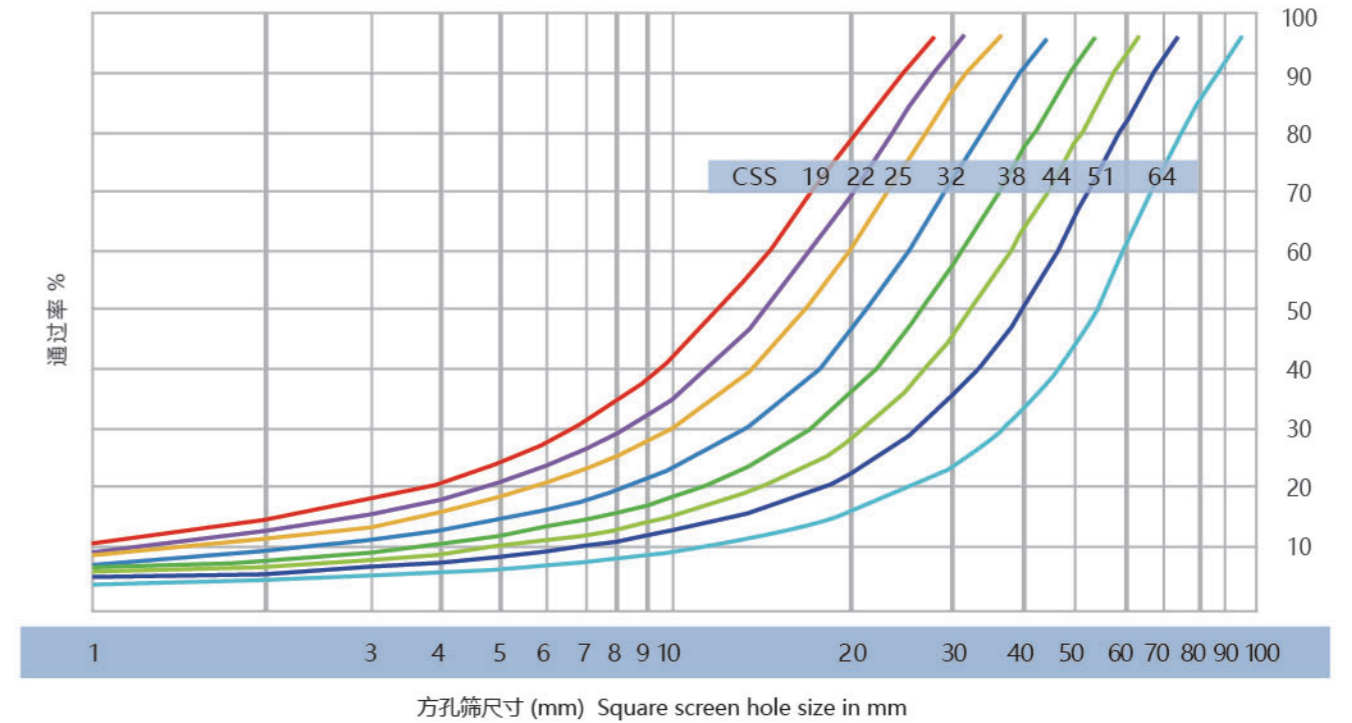


技术参数 Technical Date

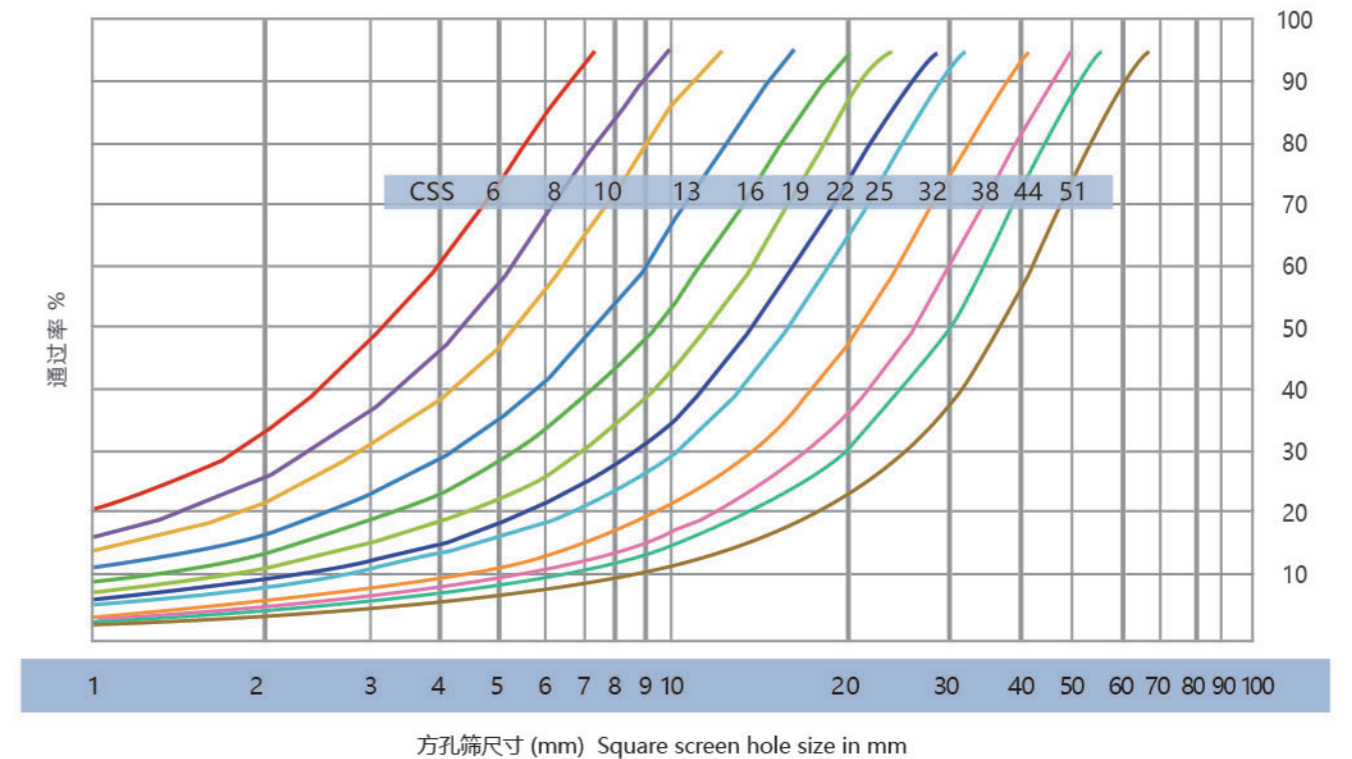
型号 Model	E-SMG100	E-SMG200	E-SMG300	E-SMG500	E-SMG700	E-SMG800	E-SMG900
电机功率 Moter Power (kw)	90	160	250	315	500-630	710-750	710-750
最大进料尺寸 Max Feeding Size (mm)	135	185	215	275	370	370	100
生产能力 Capacity (t/h)	27-128	48-210	90-395	185-650	360-1512	530-2100	178-1170

粒度分布曲线 Gradation Curves

E-SMG欧星系列液压圆锥破碎机 (中碎) 产品粒度曲线
Gradation Curves for E-SMG Series cone crusher (Secondary Crushing)



E-SMG欧星系列液压圆锥破碎机 (细碎) 产品粒度曲线
Gradation Curves for E-SMG Series cone crusher (Tertiary Crushing)



E-SMG欧星系列液压圆锥破碎机生产能力

E-SMG Series Cone Crusher Capacity

型号 Model	功率 Power (kw)	腔型 Cavity	最大给料尺寸 Max Feeding Size (mm)	紧边排料口及对应的生产能力					CSS (mm) Capacity (t/h)		
				22	25	29	32	35			
E-SMG100S	90	EC	240	85-100	92-115	101-158	107-168	114-143			
		C	200	76-95	82-128	90-112	100-120				
E-SMG200S	160	EC	360		126	138-173	147-230	156-293			
		C	300	108	116-145	127-199	135-254	144-270			
		M	235	98-123	106-166	116-218	124-232	131-246			
E-SMG300S	250	EC	450					267			
		C	400			225	239-299	254-381			
		M	300		195	214-267	228-342	242-435			
E-SMG500S	315	EC	560								
		C	500								
型号 Model	功率 Power (kw)	腔型 Cavity	最大给料尺寸 Max Feeding Size (mm)	紧边排料口及对应的生产能力					CSS (mm) Capacity (t/h)		
				4	6	8	10	13	16		
E-SMG100	90	EC	150				46	50-85	54-92		
		C	90				43-53	46-89	50-96		
		M	50			36-44	37-74	41-80	45-76		
		F	38	27-34	29-50	31-54	32-57	35-48	38		
E-SMG200	160	EC	185					69-108	75-150		
		C	145					66-131	71-142		
		M	90				64-84	69-131	75-142		
		F	50		48-78	51-83	54-88	59-96	63-103		
E-SMG300	250	EC	215						114-200		
		C	175					101	109-218		
		M	110					117-187	126-278		
		F	70			90-135	96-176	104-191	112-206		
E-SMG500	315	EC	275							177	
		C	215							171-190	
		MC	175							162-253	
		M	135							197-295	
		F	85						185-304	210-328	
E-SMG700	500-630	ECX	350								
		EC	300								
		C	240								
		MC	195								
		M	155								
		F	90						360-395	385-656	
E-SMG800	710-750	EC	370								
		C	330								
		MC	260								
		M	195								
		F	120							530	
E-SMG900	710-750	EFC	100					212-423	228-660		
		EF	85				185-245	201-585	216-630		
		EFF	75				180-475	193-560	210-605		

破碎机腔型 Crushers Cavities: EC = Extra Coarse 特粗; C = Coarse 粗; MC = Medium Coarse 中粗; M = Medium 中; F = Fine 细
所列破碎机的生产能力是基于中等硬度岩石的瞬时取样测定结果。以上数据仅供参考, 具体项目的设备选型请联系我们的工程师。
The crusher capacities listed are based on instantaneous sampling of medium hardness rocks. The above data is for reference only, please contact our engineers for equipment selection for specific projects.

紧边排料口及对应的生产能力									CSS (mm) Capacity (t/h)			
38	41	44	48	51	54	60	64	70				
121												
165-310	174-327	183-330	196-306	205-256	214							
152-285	161-301	169-264	180									
139-261	147-275	154-241	165									
282-353	298-446	313-563	334-600	349-524	365-456							
269-484	284-511	298-448	318-398	333								
256-461	270-486	284-426	303-378	317								
	349	368-460	392-588	410-718	428-856	465-929	489-978	525-1050				
310	336-420	353-618	376-753	394-788	411-823	446-892	469-822	504-631				
紧边排料口及对应的生产能力									CSS (mm) Capacity (t/h)			
19	22	25	32	38	44	51	57	64	70			
58-99	62-105	66-112	76-128									
54-103	57-110	61-118	70									
48-59												
80-161	86-171	91-182	104-208	115-210								
76-151	81-162	86-173	98-197	109-150								
80-152	86-162	91-154	104									
68-105	72-95	77										
122-276	131-294	139-313	159-357	175-395	192-384							
117-292	125-312	133-332	151-378	167-335	183-229							
136-298	145-318	154-339	176-281	194								
120-221	129-236	137-251	156-208									
190-338	203-436	216-464	246-547	272-605	298-650	328-511						
184-367	196-480	209-510	238-582	263-643	288-512	317-353						
174-426	186-455	198-484	226-552	249-499	273-364							
211-440	226-470	240-500	274-502	302-403								
225-352	241-376	256-400	292-401	323								
	430-559	453-807	517-920	571-1017	625-1113	688-1226	741-1323	807-1436	861-1264			
	448-588	477-849	544-968	601-1070	658-1172	725-1291	782-1393	849-1512	906-1331			
406	433-636	461-893	525-1018	581-1125	636-1232	700-1357	756-1465	820-1461	876-1286			
380-440	406-723	432-837	492-954	544-1055	596-1155	657-1272	708-1373	769-1370	821-1206			
400-563	428-786	455-836	519-953	573-1054	628-1154	692-1271	746-1372	810-1248	865-1098			
414-704	442-752	470-800	535-912	592-857	649-718							
			480-640	547-1277	605-1411	662-1546	730-1702	787-1837	854-1994	912-2100		
			540-772	616-1232	681-1362	746-1492	821-1643	886-1773	962-1924	1027-1613		
			541	576-864	657-1231	726-1361	795-1490	876-1642	945-1771	1025-1535	1094-1231	
			552-613	587-1043	669-1189	739-1314	810-1440	892-1586	962-1604	1045-1393	1115	
570-832	609-888	648-945	739-985	816-885								
245-715	260-760	278-812	315-926	350-990	380-896	420-705	457-550					
230-675	248-720	264-770	300-876	330-970	360-1063	400-1170	433-1010					
225-650	239-695	252-740	290-845	320-855	350-760	380-580	410					

注: 生产能力表可作为 E-SMG 欧星系列液压圆锥破碎机初步选型的参考数据, 表中数据适用于松散密度 1.6t/m³ 的物料, 给料中筛除小于排料口粒级、开路作业条件下的生产能力。破碎机作为生产回路中的一个重要组成部分, 其性能的发挥部分取决于给料机、皮带机、振动筛、支撑结构、电动机、传动装置及料仓等正确选择和使用。
Note: The table of production capacity can be used as reference for the initial selection of E-SMG series cone crushers. The data in the table applies to the production capacity of materials with a bulk density of 1.6t/m³, feeding materials smaller than the discharging particle size have been screening out, and under the open circuit operation conditions. Crusher as an important part of the production circuit, its performance depends partly on the correct selection and operation of feeders, belts, vibrating screens, support structures, motors, transmission devices and bins.

项目展示 (部分)

Projects (Part)



SMG500SC单缸圆锥破碎机应用于河南骨料项目
SMG500SC Cone Crusher at Aggregate Project in Henan



SMG300S单缸圆锥破碎机应用于海南铁尾矿综合利用项目
SMG300S Cone Crusher at Iron Tailings Resource Utilization Project in Hainan



SMG300单缸圆锥破碎机应用于山东骨料项目
SMG300 Cone Crusher at Aggregate Project in Shandong



PPSMG200S移动式圆锥破碎机应用于俄罗斯骨料项目
PPSMG200S Portable Cone Crusher at Aggregate Project in Russia



上海山美环保装备股份有限公司
SHANGHAI SANME MINING MACHINERY CORP., LTD.
(中德合资控股)
(Sino-German JV Holding)



山美股份官方微信

地址：上海市奉贤区青村镇奉村路 258 号
邮编：201414
电话：021-5759 1166 5759 1188
传真：021-5756 6188 5820 0089
网址：www.shsmzj.com
电邮：info@sanmecorp.com

Add: No.258, Fengcun Road, Qingcun County, Fengxian District,
Shanghai 201414, China
Tel: +86-21-5712 1166 5759 1188
Fax: +86-21-5756 6188 5820 0089
Website: www.sanmecrusher.com
E-mail: sales@sanmecorp.com

免费热线：400-921-5566
售后专线：021-5712 7766

Free Hotline: 400-921-5566
Service Center: +86-21-5712 7766

- 我们的产品在不断的更新和改进中，我们保留在末事先告知用户的情况下，更改参数及设计的权力。
Our products are constantly updated and improved, we reserve the right to change parameters and design without advance notification of customers.
- 照片中产品外观颜色与实际机型存在差异，颜色标准以实物为准。
If there are any discrepancy and difference between color of product appearance and actual machine type in the picture, color standard is subject to actual object.
- 本手册中的配置不一定是出厂标准配置，购买时请详细咨询我们。
Specifications and design in the brochures are not always the standard. Please consult us particularly when purchasing.